

Home Theater

Page 9

Recessed Low Voltage Cable Plates	11
Easy Mount Recessed Low Voltage Cable Plate	11
1 3/4" Hole Saw Plate	12
Cable Plate w/ Flexible Opening	12
Flexible Split Plate	12
Décor Brush Plate	13
Reverse Nose Décor Insert	13
Décor Insert w/ Flexible Opening	13
Recessed Media Box	14
Recessed Low Voltage Cable Plate w/ Recessed Power	14
Low Voltage Mounting Brackets	14
Recessed Pro-Power Kit w/ Locking Inlet	15
Recessed Pro-Power Kit w/ Duplex Receptacle & Straight Blade Inlet	15
Recessed Pro-Power Kit w/ Surge Suppressor & Straight Blade Inlet	15
Recessed Pro-Power Kit w/ Straight Blade Inlet	15
Recessed Low Voltage Media Plate	16
Expandable Media Box	17
Recessed Media Box II	18
Recessed Low Voltage Mid-Size Plate	19
Décor Duplex 4.0 Amp USB Charger	20
5.1 Surround Sound Plate	20
7.2 Surround Sound Plate	20
Universal Speaker Mount	20
Multimedia Boxes	21
New Construction Rough-In Bracket Kits	22
Drawings & Dimensions	23-26

Home Command - Structured Wiring Page 27

14" Flush Mount Enclosure	29
12" x 28" Enclosure	30
Modular Enclosure System	31
Cable Trough System	32
1 x 8 Telephone Module	33
Category 5e 8-Port Data Module	33
Category 6 8-Port Data Module	33
Coax 2.4 GHz Splitter Modules	33
AC Power Duplex Surge Module	33
Home Command Center II	34
4-Gang 110 Phone Plate w/ Video Distribution	34
2-Gang 110 Phone Plate	34

HDMI® Page 35

TrueStream Pro 10.2 Gbps HDMI® Cables	37
TrueStream Pro 18 Gbps HDMI® Cables	37
Décor Wall Plate Insert w/ 90° HDMI® Connector	38
Standard Wall Plate w/ HDMI® Connector & Pigtail	38
HDMI® Keystone Insert	38
HDBaseT™ HDMI® Extenders	39-40

Keystone Jacks Page 41

Category 3 Keystone Jacks	43
Category 5e Keystone Jacks	43

Keystone Jacks (Cont'd)

Category 6 Keystone Jacks	44
Jack Termination Tool	44
1 GHz F-Connector Keystone	45
2.4 GHz F-Connector Keystone	45
3.0 GHz F-Connector Keystone	45
Blank Keystone Insert	45
RCA to 110-Punchdown	45
RCA to RCA	46
Binding Post	46

Keystone Plates

Page 47

Keystone Plates Features & Specs	49
Standard Size Keystone Plates	50-51
Mid-Size Keystone Plates	51-52
Keystone Décor Plate Inserts	52

Telephone Accessories

Page 53

Color-Rite™ Standard Size Phone Plates	55
Color-Rite™ Mid-Size Phone Plates	55
Color-Rite™ Dual Phone Plates	56
Color-Rite™ Quick Mount Phone Plate	56
Color-Rite™ Surface Block	56
Color-Rite™ Combination Phone/Coax Plate	56
Blank Wall Plate	57

Table of Contents



Telephone Accessories (Cont'd) Page 55

Wall Plate w/ One Hole	57
Coax Wall Plate - Standard Size	57
Coax Wall Plate - Mid-Size	57
Dual Coax Wall Plate	58
2.4 GHz Coax Wall Plate	58
Color-Rite™ Decor Combo Phone/Coax Insert	59
Decor Coax Wall Plate	59
Decor Wall Plates	59
Surface Mount Boxes/Plates	60

Coaxial Connectors Page 61

F-Connector Compression	63
Crimpless Male Twist-On Connector	63
Crimp On Male w/ Attached 1/2" Crimp Ring	63
F-Connector Right Angle Adapter	63
F-Connector Splice	63
BNC Compression Connector	63
BNC Male Crimp	63
BNC Male Twist-On	64
BNC Male Quick Crimp	64
BNC Female Twist-On	64
BNC T-Adapter	64

Coaxial Connectors (Cont'd)

BNC Double Female Adapter	64
BNC Male to RCA Male	64
BNC Male to RCA Female	64
BNC Male to F Female	64
BNC Female to F Male	65
BNC Female to RCA Male	65
RCA Compression Connector	65
RCA Female to F Female	65
RCA Male to F Female	65
UY IDC Connector	65
UR IDC Connector	65
RJ45	66
RJ11	66
RJ12	66
1 GHz Splitters	66

Patch Panels & Accessories

Page 67

Category 5e, 12-Port Mini Patch Panel	69
Category 6, 12-Port Mini Patch Panel	69
Category 5e, 12-Port Universal Patch Panel	69
Category 6, 12-Port Universal Patch Panel	69
Category 5e, 24-Port Universal Patch Panel	69
Category 6, 24-Port Universal Patch Panel	69
Category 5e, 48-Port Universal Patch Panel	69
Category 6, 48-Port Universal Patch Panel	69

Patch Panels & Accessories (Cont'd)

19" Rack Cable Management Wire Holder	70
1U Hinged Wall Mount Bracket	70
2U Hinged Wall Mount Bracket	70
24-Port Blank Patch Panel	70
Drawings & Dimensions	70
Category 5e Patch Cords	72
Category 6 Patch Cords	72

Reference

Page 73

Warranty Information	73
Industry Terms & Definitions	73
Product Index	74-76

Home Theater

Wall Plates | Power Relocation | Rough-In Brackets



Hiding A/V cables from flat screen TVs, media streaming devices, and other home theater equipment has never been easier. We understand that each home is unique, and with our vast selection of unique and exclusive cable plates you will certainly find a product to fit every home theater installation, no matter how simple or complex it may be.



Home Theater

Recessed Low Voltage Cable Plates	11
1 3/4" Hole Saw Plate	12
Cable Plate w/ Flexible Opening	12
Flexible Split Plate	12
Décor Plate Inserts	13
Low Voltage Mounting Brackets	14
Recessed Media Box	14
Recessed Low Voltage Cable Plate w/ Recessed Power	14
Recessed Pro-Power Kits	15
Recessed Low Voltage Media Plates	16
Expandable Media Box	17
Recessed Media Box II	18
Recessed Low Voltage Mid-Size Plates	19
Décor USB Charger	20
Surround Sound Plates	20
Universal Speaker Mount	20
Multimedia Box	21
Rough-In Brackets	22

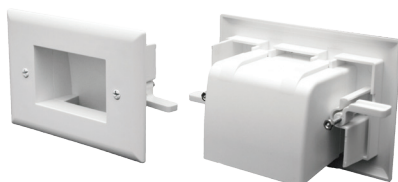
Recessed Low Voltage Cable Plates

- Available in 1-gang, 2-gang, and 3-gang
- Available in 5 colors
- Can be installed with the opening facing up or down
- Designed to be used with 1-gang, 2-gang and 3-gang low voltage mounting brackets made by any major manufacturer



Part Number	Description
45-0001-BK	1-Gang, Black
45-0001-BR	1-Gang, Brown
45-0001-IV	1-Gang, Ivory
45-0001-LA	1-Gang, Lite Almond
45-0001-WH	1-Gang, White
45-0011-WH	1-Gang, White, Mid-Size *NEW PRODUCT*
45-0002-BK	2-Gang, Black
45-0002-BR	2-Gang, Brown
45-0002-IV	2-Gang, Ivory
45-0002-LA	2-Gang, Lite Almond
45-0002-WH	2-Gang, White
45-0003-BK	3-Gang, Black
45-0003-LA	3-Gang, Lite Almond
45-0003-WH	3-Gang, White

Easy Mount Recessed Low Voltage Cable Plate



- Conceal multiple A/V cables behind your flat panel TV
- Can be installed with the opening facing up or down
- Mounting wings are molded into the plate and fasten tightly against the back of the drywall
- Slim fit size (Part # 45-0009) is designed for applications where the wall cavity depth is 3/4" to 1" in depth
- Available in 4 colors
- Available in 2 sizes

Part Number	Description
45-0008-BK	Easy Mount Cable Plate, Black
45-0008-IV	Easy Mount Cable Plate, Ivory
45-0008-LA	Easy Mount Cable Plate, Lite Almond
45-0008-WH	Easy Mount Cable Plate, White
45-0009-LA	Easy Mount Cable Plate (Slim Fit), Lite Almond
45-0009-WH	Easy Mount Cable Plate (Slim Fit), White

1 3/4" Hole Saw Plate

- Low profile fits behind the industry's thinnest mounts and TV's
- Conceal low voltage cables behind your flat panel TV
- Ideal for HDMI, security, or speaker cable pass-through
- Metal mounting wings are attached to the plate for a secure installation
- No low voltage mounting bracket required

Part Number	Description
45-0006-WH	1 3/4" Hole Saw Plate, White
45-0006-BK	1 3/4" Hole Saw Plate, Black (with Black Brush)



Cable Plate w/ Flexible Opening



- Low profile fits behind the industry's thinnest mounts and TVs
- Conceal multiple low voltage cables behind your flat panel TV
- 1-Gang holds up to 4 cables - 2-Gang holds up to 8 cables
- Mounting wings are included with the media plate and fasten securely against the back of the drywall
- No low voltage mounting plate or old work ring required

Part Number	Description
45-0014-BK	1-Gang, Black
45-0014-IV	1-Gang, Ivory
45-0014-LA	1-Gang, Lite Almond
45-0014-WH	1-Gang, White
45-0015-BK	2-Gang, Black
45-0015-IV	2-Gang, Ivory
45-0015-LA	2-Gang, Lite Almond
45-0015-WH	2-Gang, White

Flexible Split Plate

- Allows additional cables to be added without disconnecting existing cables
- Installs onto a low voltage mounting bracket
- Allows you to keep the opening in the wall covered while passing low voltage cables through the wall
- Holds up to 6 cables

Part Number	Description
45-0017-BK	Split Plate w/ Flexible Opening, Black
45-0017-IV	Split Plate w/ Flexible Opening, Ivory
45-0017-LA	Split Plate w/ Flexible Opening, Lite Almond
45-0017-WH	Split Plate w/ Flexible Opening, White



Décor Brush Plate



- Low profile design fits behind the industry's thinnest mounts and TV's
- Conceal multiple low voltage cables behind your flat panel TV
- Easily holds up to 6 cables
- Mounts flush with a décor style wall plate (included)
- Mounts to a standard low voltage mounting ring, old work

Part Number	Description
45-0018-WH	Décor Brush Plate w/ Décor Cover Plate, White

Reverse Nose Décor Insert

- Holds up to 4 cables
- Mounts flush with a décor style wall plate
- Allows cable management inside the wall
- Perfect for eliminating connections at the wall
- Available in 5 colors
- ETL Listed

Part Number	Color
45-0004-BK	Black
45-0004-BR	Brown
45-0004-IV	Ivory
45-0004-LA	Lite Almond
45-0004-WH	White



Décor Insert w/ Flexible Opening



- Holds up to 4 cables
- Mounts to a standard low voltage mounting ring, old work ring, or mud ring
- Flexible opening helps keep low voltage pass-through area covered
- Perfect for eliminating connections at the wall
- Available in 4 colors
- ETL Listed

Part Number	Color
45-0016-BK	Black
45-0016-IV	Ivory
45-0016-LA	Lite Almond
45-0016-WH	White

Low Voltage Mounting Brackets



- Available in 1-gang and 2-gang options
- Adjusts to fit 1/4" to 1.00" thick drywall
- Mounting wings fasten against the back of the drywall as you tighten
- Quick and easy to install - for mounting low voltage cable plates
- Horizontal or vertical mounting

Part Number	Description
60-0021-S	1-Gang Low Voltage Mounting Bracket
60-0022-S	2-Gang Low Voltage Mounting Bracket

Recessed Media Box

- Installs power and low voltage cables behind your flat panel TV, amplifier, or other audio/video devices in your equipment room
- Designed for new construction or retrofit installations
- Flexible front cover plate gives our Recessed Media Box the clean finish your customers expect.

Part Number	Description
45-0010-WH	Recessed Media Box, White
45-0010-BK	Recessed Media Box, Black



Recessed Low Voltage Cable Plate w/ Recessed Power



- Use with either a single gang new work box or old work box
- Grounded 15 Amp recessed receptacle allows you to install power behind your HDTV
- Mounting wings are molded into the plate and fasten tightly against the back of the drywall; the wings are designed for use in walls up to 1" thick

Part Number	Color
45-0021-WH	White

Recessed Pro Power Kits

DataComm Electronics' Recessed Pro Power Kits are the perfect solution for installing power and low voltage cables behind your HDTV, AVR, and other audio/video devices. These kits work with the industry's thinnest mounts and TVs which allow you to pass low voltage cables and power through the wall, creating a professional and clean look for every home theater.

Recessed Pro-Power Kit w/ Locking Inlet



Parts Included:

- Recessed Low Voltage Cable Plate w/ Recessed Power
- Recessed Low Voltage Cable Plate w/ Locking Inlet
- 6 ft. 16/2 with Ground Locking Extension Cord

Part Number	Color
45-0022-WH	White

Straight Blade Inlet

Parts Included:

- Recessed Cable Plate with 15A single receptacle
- Recessed Cable Plate with Straight Blade Inlet
- Two (2) outlet boxes
- 6 ft. 16/2 with ground extension cord
- Three (3) wire nuts

Part Number	Color
45-0023-WH	White



Duplex Surge Suppressor & Straight Blade Inlet



Surge Suppressor Features:

- › Maximum surge current - 1,500 amps
- › Clamping response time - 1 nanosecond
- › Hot/Neutral, Hot/Ground, Neutral/Ground
- › Total maximum surge dissipation - 240 joules

Parts Included:

- Recessed Low Voltage Mid-Size Plate w/ Duplex Surge Suppressor
- Recessed Low Voltage Cable Plate w/ Straight Blade Inlet
- 6 ft. 16/2 w/ Ground Cord Set w/ 360° rotating flat head
- Two (2) outlet boxes
- 15 Amp/125 Volt Duplex Receptacle (45-0024-WH or Surge Suppressor Receptacle (45-0028-WH)

Part Number	Receptacle
45-0024-WH	15 amp/125 volt Duplex
45-0028-WH	15 amp/125 volt Duplex Surge

Recessed Low Voltage Media Plates

DataComm Electronics' patented Recessed Low Voltage Media Plates offer the convenience of a duplex receptacle and a recessed plate with enough room to store your low voltage cables behind your HDTV.

Features

Part # 45-0031-WH

- Low profile design fits behind the industry's thinnest mounts and TVs
- Conceal multiple A/V cables behind your flat panel TV
- Tamper resistant 15 Amp/125 Volt duplex receptacle
- Outlet box included
- Mounting wings are attached to the media plate and fasten tightly against the back of the drywall
- Quick and easy to install
- No additional parts required



Part # 45-0041-WH | Surge Suppressor Features

- 15 Amp/125 Volt duplex surge receptacle w/ receptacle Surge Bloc®
 - › Audible alarm sounds when surge suppressor is no longer functioning
 - › Maximum surge current - 12,000 amps
 - › Peak suppression voltage - 1,000 volts
 - › Hot/Neutral, Hot/Ground, Neutral/Ground
 - › Total maximum surge dissipation - 340 joules
- Part # 45-0041-SB - Replaceable Surge Bloc sold separately

Part# 45-0032-WH | 20 Amp w/ Steel Outlet Box Model Features

- 20 Amp/125 Volt duplex receptacle (5-20R)
 - › 2 Pole
 - › 3W
 - › Rear wire with side screw terminals
 - › Tamper resistant
- Steel outlet box included
 - › 2.75" single gang
 - › Contains 8 knockouts for conduit or armored cable mounting options
 - › Ideal for commercial applications or when required by residential building codes
 - › Also ETL Listed in Canada



Part Number	Description
45-0031-WH	Recessed Low Voltage Media Plate w/ Duplex Receptacle, White
45-0041-WH	Recessed Low Voltage Media Plate w/ Duplex Surge Suppressor, White
45-0041-SB	Replacable Surge Bloc® for 45-0041-WH
45-0032-WH	Recessed Low Voltage Media Plate w/ 20 Amp Duplex Receptacle, White

Expandable Media Box

DataComm Electronics' Expandable Media Box is designed to streamline power and cable management behind your HDTV. The expandable portion of the media box allows for maximum storage hidden behind your TV, while still allowing your TV to be mounted flush to the wall.

Features

Part # 45-0051-WH | ETL US Only

- Wall box storage capacity increases by 75% when the expandable portion is extended behind the wall
- There are two openings inside of the Expandable Media Box, one on the top and one on the bottom. Three (3) interchangeable plates are included to cover these openings, allowing for multiple configuration options. The three (3) plates include:
 - › Flexible Opening Plate
 - › 6-Port Keystone Plate
 - › Blank Plate
- UL Listed, 15 Amp/125 Volt Duplex Receptacle
- Outlet box included
- Metal mounting wings are attached to the media plate and fasten tightly against the back of the drywall when installed
- Available in three (3) models
- Quick and easy to install



Part Number	Description
45-0051-WH	w/ 15 Amp/125 Volt Duplex Receptacle
45-0061-WH	w/ 15 Amp/125 Volt Surge Suppressor
45-0052-WH	w/ 20 Amp/125 Volt Duplex Receptacle

Part # 45-0061-WH | Surge Suppressor Features | ETL US Only

UL Listed 15 Amp/125 Volt Duplex Surge Receptacle:

- Maximum surge current - 15,000 amps
- Clamping response time - 1 nanosecond
- Hot/Neutral, Hot/Ground, Neutral/Ground
- Total maximum surge dissipation - 480 joules



Part # 45-0052-WH | 20 Amp Model w/ Steel Outlet Box Features ETL US & CAN

UL Listed 20 Amp/125 Volt Duplex Receptacle:

- 2 pole
- 3W
- Rear connection with side screw terminals
- Tamper resistant



Recessed Media Box II

DataComm Electronics' Recessed Media Box II is designed to streamline power and cable management behind your HDTV. The box features a side cover plate with knockouts for conduit or tube making it ideal for rough-in applications while allowing your TV or other display to be mounted flush to the wall.

Features

Part # 45-0053-WH | ETL US Only

- Side cover plate features 3/4" and 1" knockouts for conduit or tube
- There are two openings inside of the Recessed Media Box, one on the top and one on the bottom. Three (3) interchangeable plates are included to cover these openings, allowing for multiple configuration options. The three (3) plates include:
 - › Flexible Opening Plate
 - › 6-Port Keystone Plate
 - › Blank Plate
- UL Listed, 15 Amp/125 Volt Duplex Receptacle
- Outlet box included
- Metal mounting wings are attached to the media plate and fasten tightly against the back of the drywall when installed
- Available in three (3) models
- Quick and easy to install



Patent Pending

Part Number	Description
45-0053-WH	w/ 15 Amp/125 Volt Duplex Receptacle
45-0063-WH	w/ 15 Amp/125 Volt Surge Suppressor
45-0054-WH	w/ 20 Amp/125 Volt Duplex Receptacle

Part # 45-0063-WH | Surge Suppressor Features | ETL US Only

UL Listed 15 Amp/125 Volt Duplex Surge Receptacle:

- Maximum surge current - 15,000 amps
- Clamping response time - 1 nanosecond
- Hot/Neutral, Hot/Ground, Neutral/Ground
- Total maximum surge dissipation - 480 joules



Part # 45-0054-WH | 20 Amp Model w/ Steel Outlet Box Features ETL US & CAN

UL Listed 20 Amp/125 Volt Duplex Receptacle:

- 2 pole
- 3W
- Rear connection with side screw terminals
- Tamper resistant



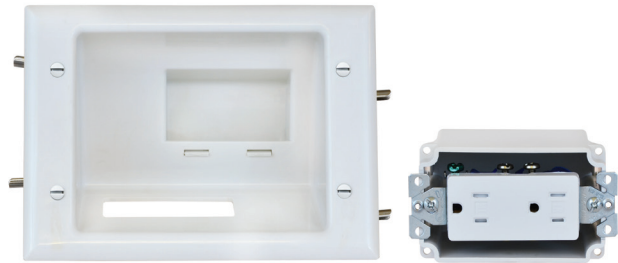
Recessed Low Voltage Mid-Size Plate

DataComm Electronics' Recessed Low Voltage Mid-Size Plate is designed to streamline power and cable management behind wall mounted displays. This plate is available in three (3) models including surge and commercial grade options.

Features

Part # 45-0071-WH | ETL US Only

- Low profile design fits behind the industry's thinnest mounts and TVs
- Conceal multiple A/V cables behind your flat panel TV
- UL Listed 15A / 125V duplex receptacle (45-0071-WH is tamper resistant)
- Outlet box included
- Metal mounting wings are attached to the media plate and fasten tightly against the back of the drywall
- Flexible screen closes the interior opening of the mid-size plate
- Quick and easy install



Part Number	Description
45-0071-WH	w/ 15 Amp/125 Volt Duplex Receptacle
45-0081-WH	w/ 15 Amp/125 Volt Surge Suppressor
45-0072-WH	w/ 20 Amp/125 Volt Duplex Receptacle

Part # 45-0081-WH | Surge Suppressor Features

ETL US Only

UL Listed 15 Amp/125 Volt Duplex Surge Receptacle:

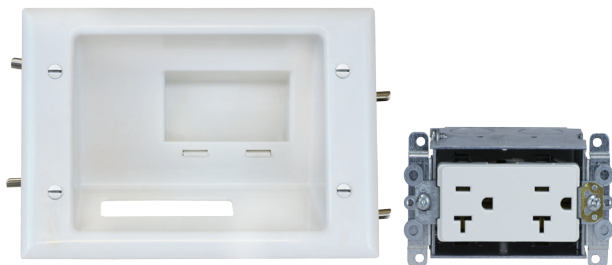
- Maximum surge current - 15,000 amps
- Clamping response time - 1 nanosecond
- Hot/Neutral, Hot/Ground, Neutral/Ground
- Total maximum surge dissipation - 480 joules



Part # 45-0072-WH | 20 Amp Model w/ Steel Outlet Box Features | ETL US & CAN

UL Listed 20 Amp/125 Volt Duplex Receptacle:

- 2 pole
- 3W
- Rear wire connection with side screw terminals
- Tamper resistant



Décor Duplex 4.0 Amp USB Charger



- Compatible with USB 2.0 devices
- Fits in most major manufacturers décor style wallplates
- 4.0 Amp USB charging capacity
- Two 15 Amp / 125 Volt tamper resistant receptacles
- ETL Listed

Part Number	Description
48-0204-WH	Décor Duplex 4.0 Amp USB Charger, White

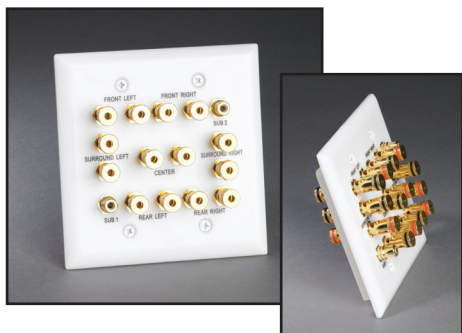
5.1 Surround Sound Plate

- Includes 2-gang white plate with 5-pair binding post for the front-left, front-right, rear-right, rear-left and center speakers
- Includes 1 RCA jack with f-connector for a subwoofer
- Installs in a NEMA 2-gang box or low voltage mounting bracket

Part Number	Description
45-0060	5.1 Surround Sound 2-Gang Plate



7.2 Surround Sound Plate



- Preconfigured plate with front and back gold plated push-pin banana plug connectors
- Eliminates tedious work and decreases labor cost by 20%
- No wire pull-outs
- Automatic conductor adjustment ensures perfect conductivity every time
- Connector labeling simplifies room setup and configuration

Part Number	Description
45-0070	7.2 Surround Sound 2-Gang Plate

Universal Speaker Mount

- Mounts most standard speakers to wall or other surfaces
- Contains parts and brackets for two (2) speakers
- Multiple angle adjustments for desired speaker placement
- ETL Rated for indoor or outdoor use
- Each bracket holds up to 9 lbs.
- Extensions included for mounting speakers to the ceiling

Part Number	Description
60-0036	Adjustable Indoor/Outdoor Speaker Mounts



Multimedia Box

The Multimedia Box is the perfect solution for concealing cables and media streaming devices behind your HDTV. The box is constructed of 20-gauge steel and provides ample storage for all your home theater accessories. A removable trim ring gives you the clean, professional look you want.

Features

- 20-gauge steel constructed
- Multiple knockouts for conduit up to 2" diameter
- Knockout for a single gang J-Box power module (Part # 80-0050)
- Flat black finish
- Mounting slots simplify adjustment for different depths of sheetrock
- Trim ring included
- Hole pattern accepts most brands of modules
- ETL listed



Part Number	Description
-------------	-------------

45-8014-BK	14" x 14"
------------	-----------



Removeable Trim Ring

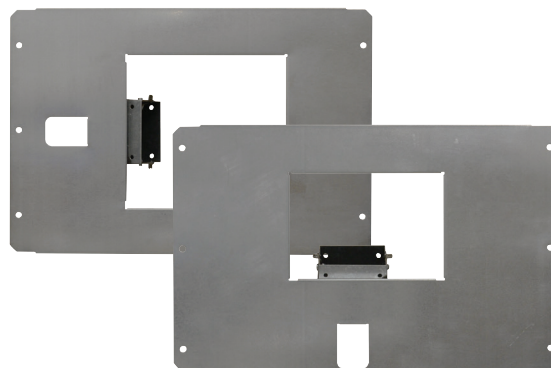
Allows you to install the Multimedia Box during new construction or as a retrofit solution.

New Construction Rough-In Brackets

DataComm Electronics' Rough-In Brackets are the perfect solution for commercial installers. Designed to be used in new construction applications, these rough-in brackets work with several of DataComm's power plates so you can easily create any solution with only two parts.

Features

- Sturdy 22GA galvanized steel construction bracket
- Works for both residential and commercial applications
- 16" on center metal or wood studs works with your choice of power plate
- 2 3/4" single gang steel outlet box contains 8 knockouts for conduit or armored cable mounting options
- Built-in mud ring for drywall trim out
- Reversible for customizable receptacle placement on top, bottom (45-0101), left, or right (45-0102)



Part Number	Description
45-0101	16" Mid-Size Rough-In Bracket
45-0102	16" Full-Size Rough-In Bracket

Mid-Size Rough-In Bracket (45-0101) works with the following DataComm Electronics part numbers:

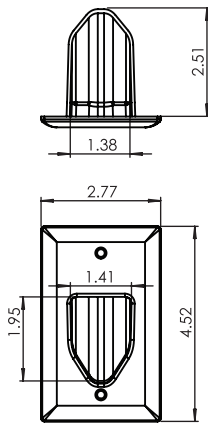
- 45-0071-WH - Recessed Low Voltage Mid-Size Plate w/ 15 Amp/ 125 Volt Duplex Receptacle
- 45-0072-WH - Recessed Low Voltage Mid-Size Plate w/ 20 Amp/ 125 Volt Duplex Receptacle
- 45-0081-WH - Recessed Low Voltage Mid-Size Plate w/ 15 Amp/ 125 Volt Duplex Surge Receptacle

Full-Size Rough-In Bracket (45-0102) works with the following DataComm Electronics part numbers:

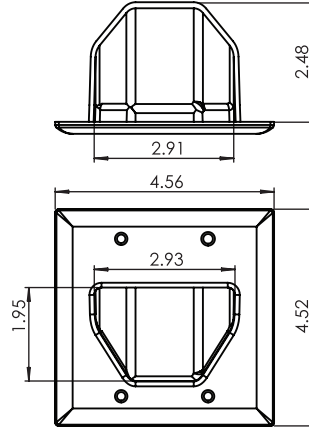
- 45-0031-WH - Recessed Low Voltage Media Plate w/ 15 Amp/ 125 Volt Duplex Receptacle
- 45-0032-WH - Recessed Low Voltage Media Plate w/ 20 Amp/ 125 Volt Duplex Receptacle
- 45-0041-WH - Recessed Low Voltage Media Plate w/ 15 Amp/ 125 Volt Duplex Surge Receptacle
- 45-0051-WH - Expandable Media Box w/ 15 Amp/ 125 Volt Duplex Receptacle
- 45-0052-WH - Expandable Media Box w/ 20 Amp/ 125 Volt Duplex Receptacle
- 45-0061-WH - Expandable Media Box w/ 15 Amp/ 125 Volt Duplex Surge Receptacle
- 45-0053-WH - Recessed Media Box w/ 15 Amp/ 125 Volt Duplex Receptacle
- 45-0054-WH - Recessed Media Box w/ 20 Amp/ 125 Volt Duplex Receptacle
- 45-0063-WH - Recessed Media Box w/ 15 Amp/ 125 Volt Duplex Surge Receptacle

Drawings & Dimensions

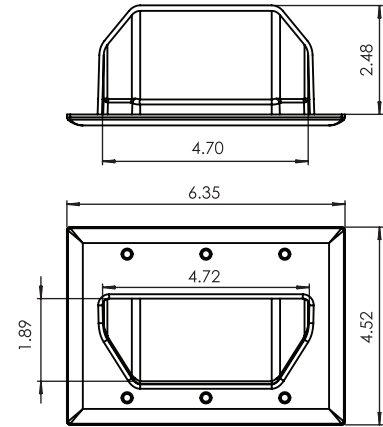
45-0001-XX: 1-Gang Recessed Low Voltage Cable Plate



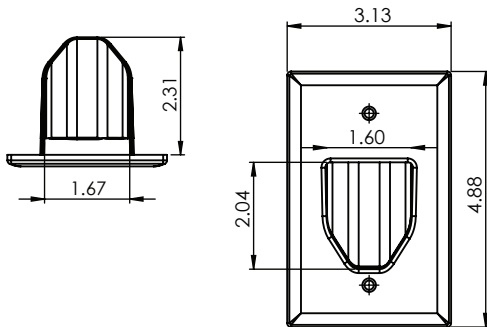
45-0002-XX: 2-Gang Recessed Low Voltage Cable Plate



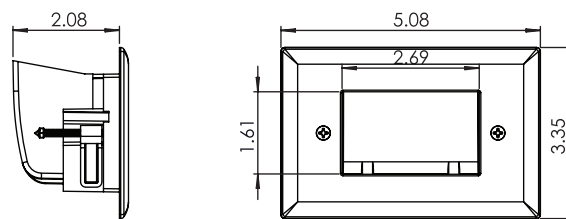
45-0003-XX: 3-Gang Recessed Low Voltage Cable Plate



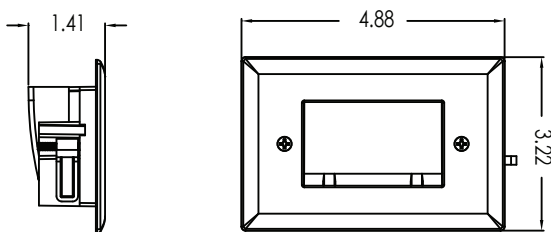
45-0011-WH: 1-Gang Mid-Size Recessed Low Voltage Cable Plate



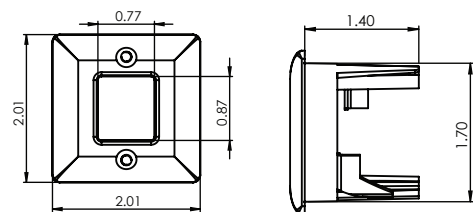
45-0008-XX: Easy Mount Recessed Low Voltage Cable Plate



45-0009-XX: Easy Mount Recessed Low Voltage Cable Plate (Slim Fit)

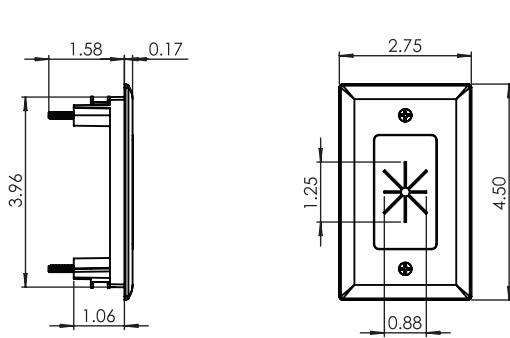


45-0006-WH: 1 3/4" Hole Saw Plate

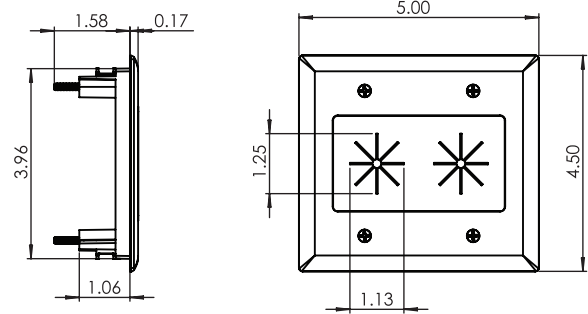


Drawings & Dimensions

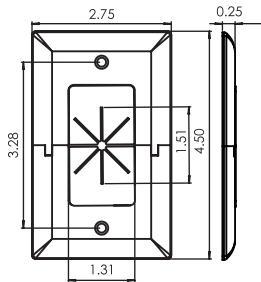
45-0014-XX: 1-Gang Cable Plate w/ Flexible Opening



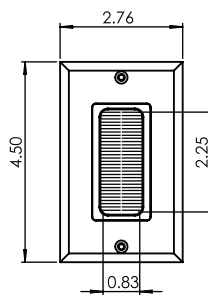
45-0015-XX: 2-Gang Cable Plate w/ Flexible Opening



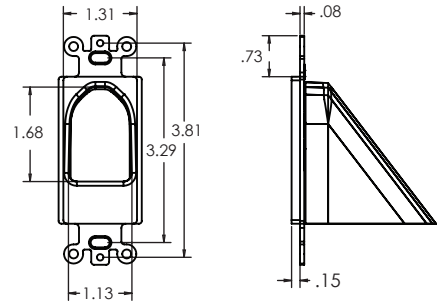
45-0017-XX: Flexible Split Plate



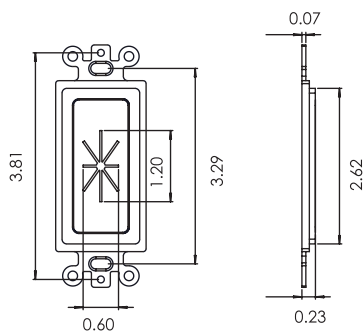
45-0018-WH: Décor Brush Plate



45-0004-XX: Reverse Nose Décor Insert



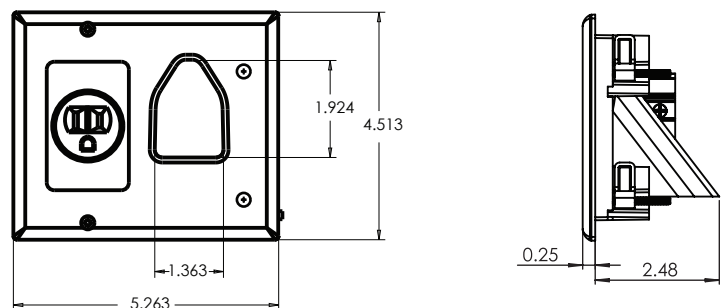
45-0016-XX: Décor Insert w/ Flexible Opening



45-0021-WH: Recessed Low Voltage Cable Plate w/ Recessed Power

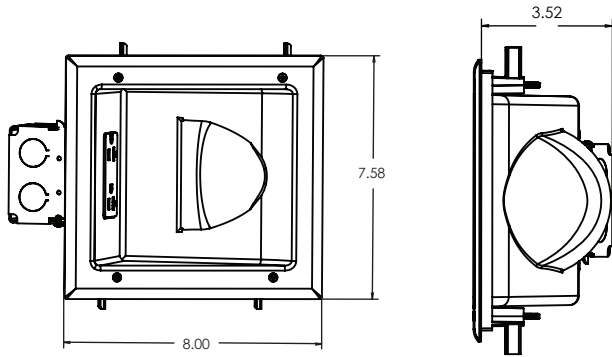
45-0022-WH: Recessed Pro Power Kit w/ Locking Inlet (dimensions apply to top and bottom plate)

45-0023-WH: Recessed Pro Power Kit w/ Straight Blade Inlet (dimensions apply to top and bottom plate)

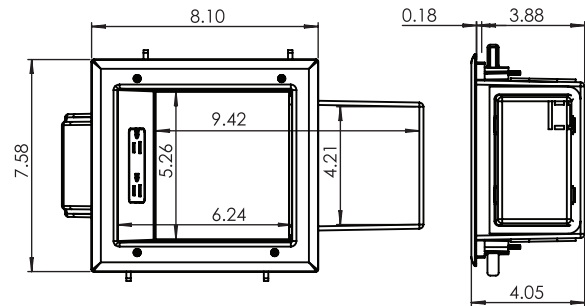


Drawings & Dimensions

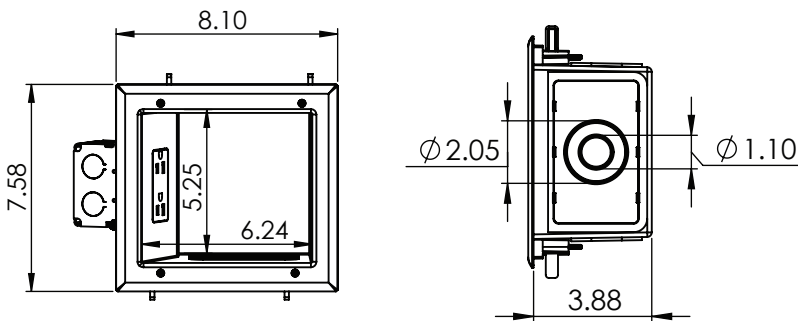
45-0031-WH, 45-0032-WH, 45-0041-WH:
Recessed Low Voltage Media Plates



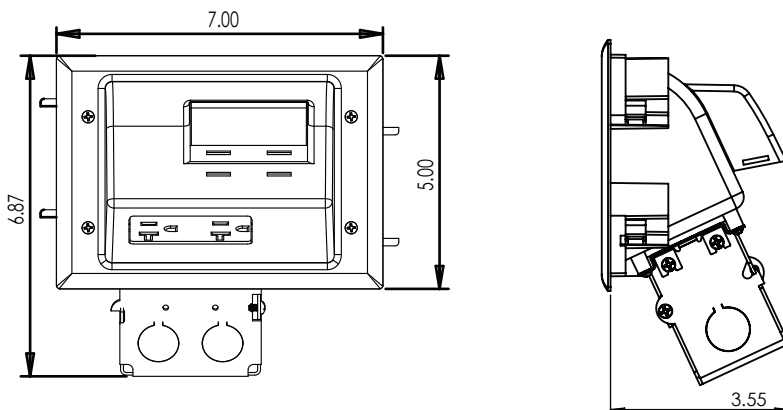
45-0051-WH, 45-0052-WH, 45-0061-WH:
Expandable Media Box



45-0053-WH, 45-0054-WH, 45-0063-WH:
Recessed Media Box II

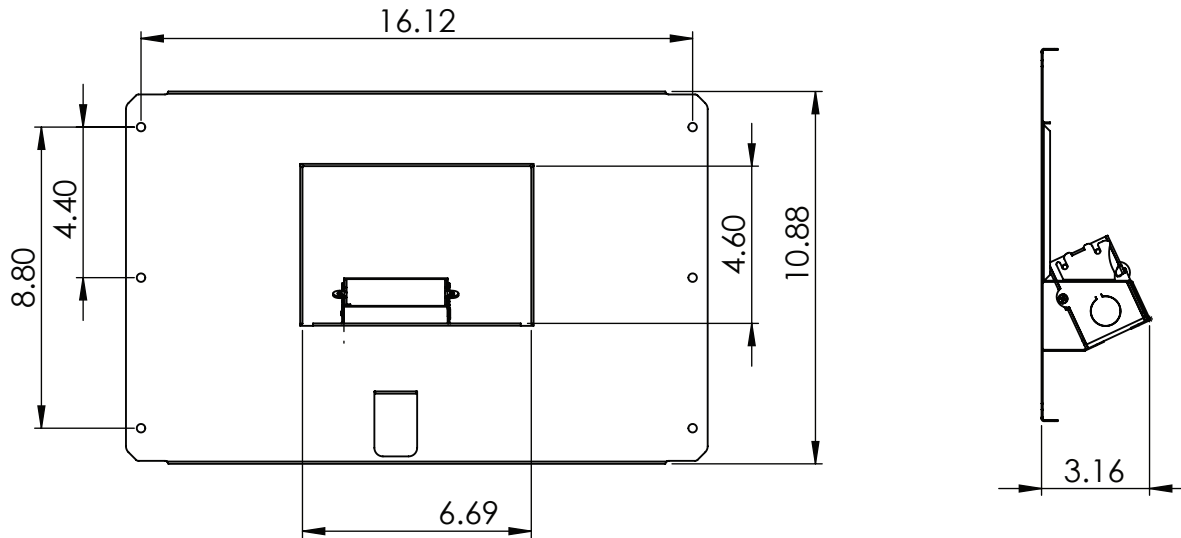


45-0071-WH, 45-0072-WH, 45-0081-WH: Recessed Low Voltage Mid-Size Plate
45-0024-WH: Recessed Pro Power Kit w/ Duplex Receptacle & Straight Blade Inlet (top plate)
45-0028-WH: Recessed Pro Power Kit w/ Duplex Surge & Straight Blade Inlet (top plate)

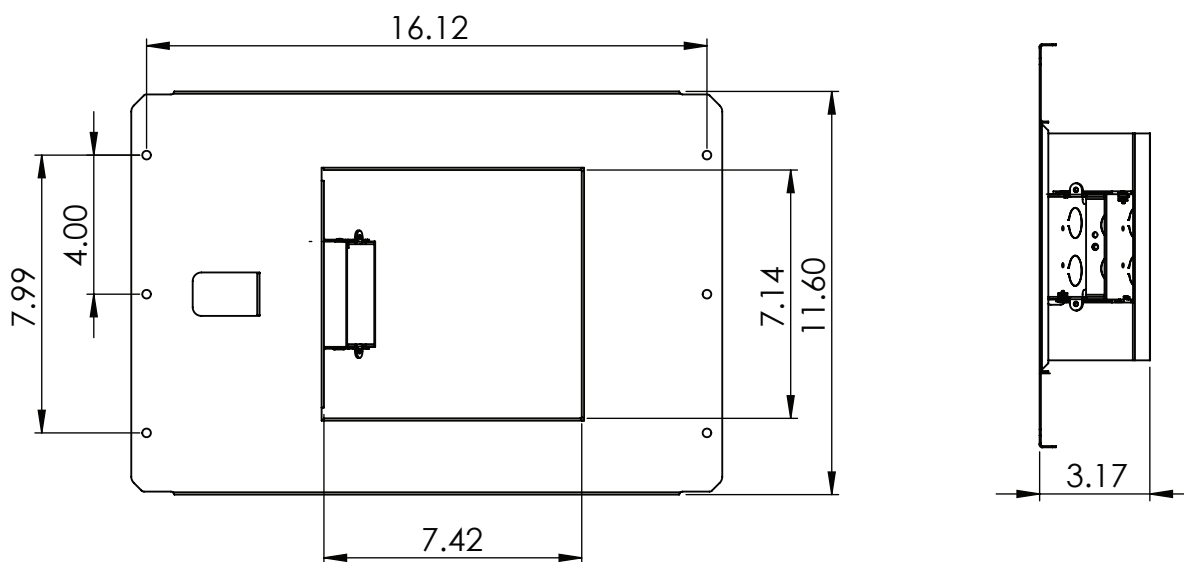


Drawings & Dimensions

45-0101
16" Mid-Size Rough-In Bracket



45-0102
16" Full-Size Rough-In Bracket



Home Command - Structured Wiring

Enclosures | Modules | Phone/Video Termination



DataComm Electronics
Structured Wiring Modules

Pages 33



DataComm Electronics' Home Command Center (HCC) products are an innovative approach to structured wiring systems. Design features include side wire management, universal mounting holes and integrated support for security and media modules. Our HCC products are offered in a variety of sizes and configurations to meet the specific needs of our installers.

Home Command

14" Flush Mount Enclosure	29
12" x 28" Enclosure	30
Plastic Enclosure	31
Cable Trough System	32
1 x 8 Telephone Module	33
Category 5e Data Module	33
Category 6 Data Module	33
AC Power Duplex Surge Module	33
Splitter Modules	33
Home Command Center II	34
4-Gang 110 Phone Plate	34
2-Gang 110 Phone Plate	34

DATA COMM
ELECTRONICS™

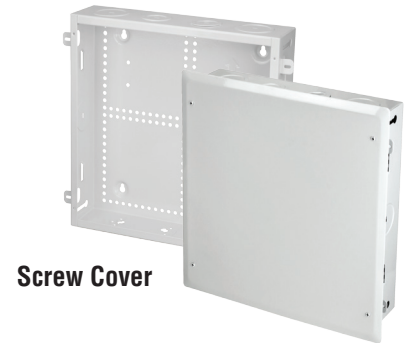


14" Flush Mount Enclosures

Features

- Includes multiple knockouts for conduit up to 2" diameter
- Includes a knockout for a single gang J-Box power module (Part #: 80-0050)
- Mounting slots simplify adjustment for different depths of sheetrock
- Integrated cable tie anchors assist in clean cable management inside the enclosure
- Surface or flush mountable
- Screw cover overlaps the enclosure frame to hide uneven drywall edges
- Standard 1 x 6 hole pattern accepts most brands of modules
- 20-gauge steel construction
- Glossy white finish
- ETL listed to UL STD 1863 and ANSI/UL STD 60950-1
- Certified to CAN/GSA STD G22.2 No. 60950-1
- Complies with TIA-568-C and TIA-570-B requirements

* This enclosure is not intended or designed to be mounted in firewall applications



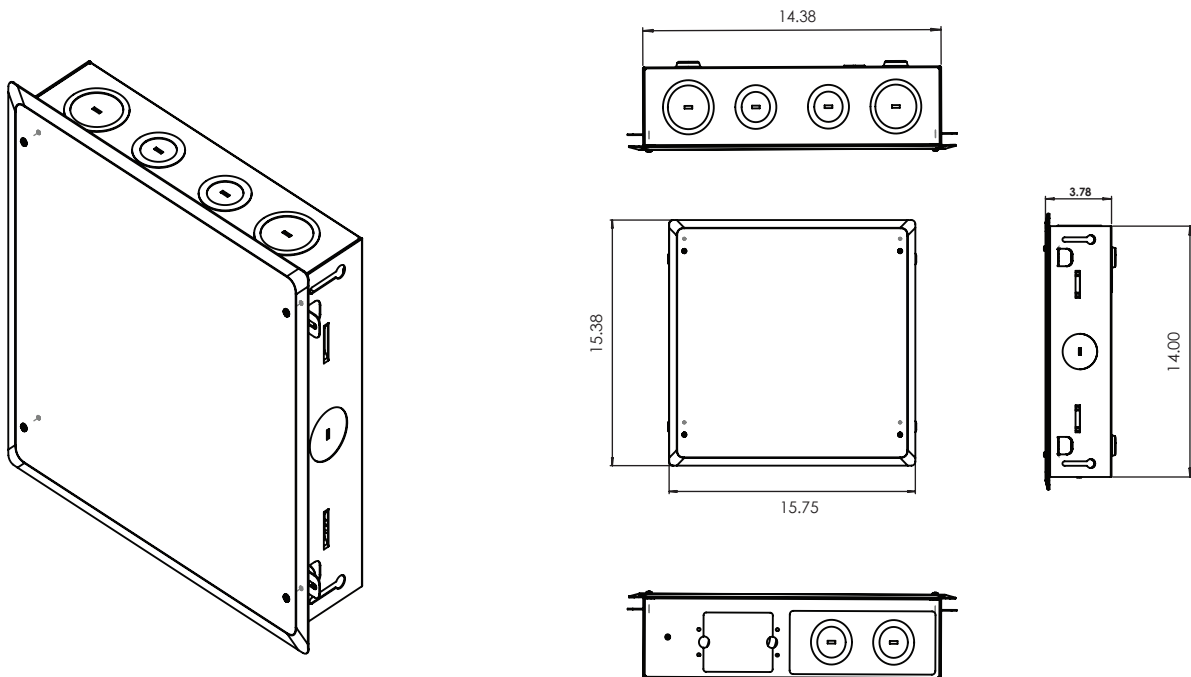
Screw Cover



Hinge Door

Part Number	Description
80-0014-SC	14" Flush Mount Enclosure w/ Screw Cover
80-0014-HC	14" Flush Mount Enclosure w/ Hinge Door

Product Specs & Dimensions



12" x 28" Enclosures

DataComm Electronics' large Home Command Centers allow you to meet current infrastructure requirements while preserving space for future technologies.

Features

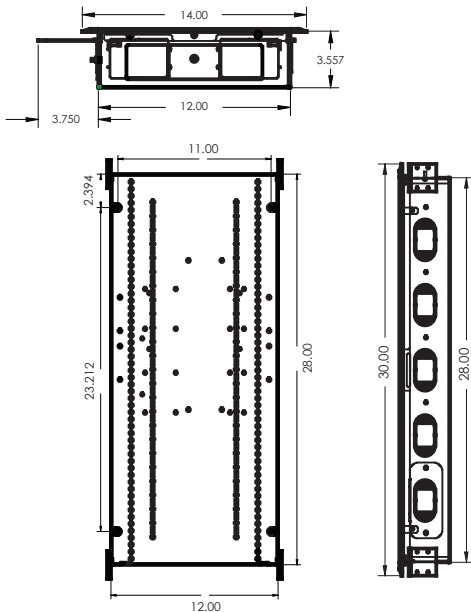
- Screw cover or hinged door (your choice is packed separately in the enclosure box for storage until final installation)
- Support bracket for added stability
- Additional side knockouts for terminating voice, data, video, and security cables
- Additional bottom knockouts for added UL switch boxes (Part # 80-0050)
- Mounting holes for phone and video modules made by DataComm and other major manufacturers
- Bulk-wire management outside the enclosure to facilitate installation of internal components
- Phone and video distribution modules (sold separately)
- All enclosures are ETL listed

Part Number	Description
70-0016-E	12" x 28" Enclosure
70-0016-H	12" x 28" Hinge Door
70-0016-S	12" x 28" Screw Cover
70-0099	Home Command Center Support Bracket



Modules & Accessories Sold Separately

Drawings & Dimensions



15" & 30" Plastic Enclosure

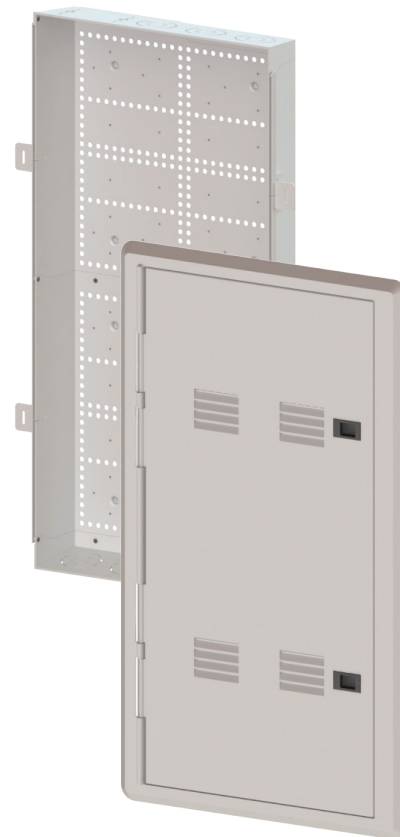
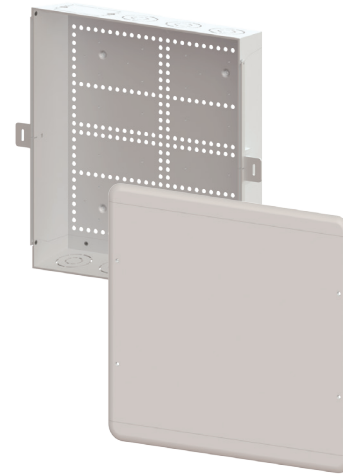
Available Fourth Quarter, 2017

DataComm Electronics new Plastic Enclosures are designed to provide even more options and flexibility for meeting your digital and analog communication needs. The ABS construction allows you to access the full reach of your wireless network by reducing interference with Wi-Fi signals.

Features

- 15" units stack to create 30" enclosure
- Made of ABS plastic
- Mid-section hole pattern allows for most standard modules to be installed
- ABS construction reduces interference with Wi-Fi signals
- Available in 5 packs for more savings

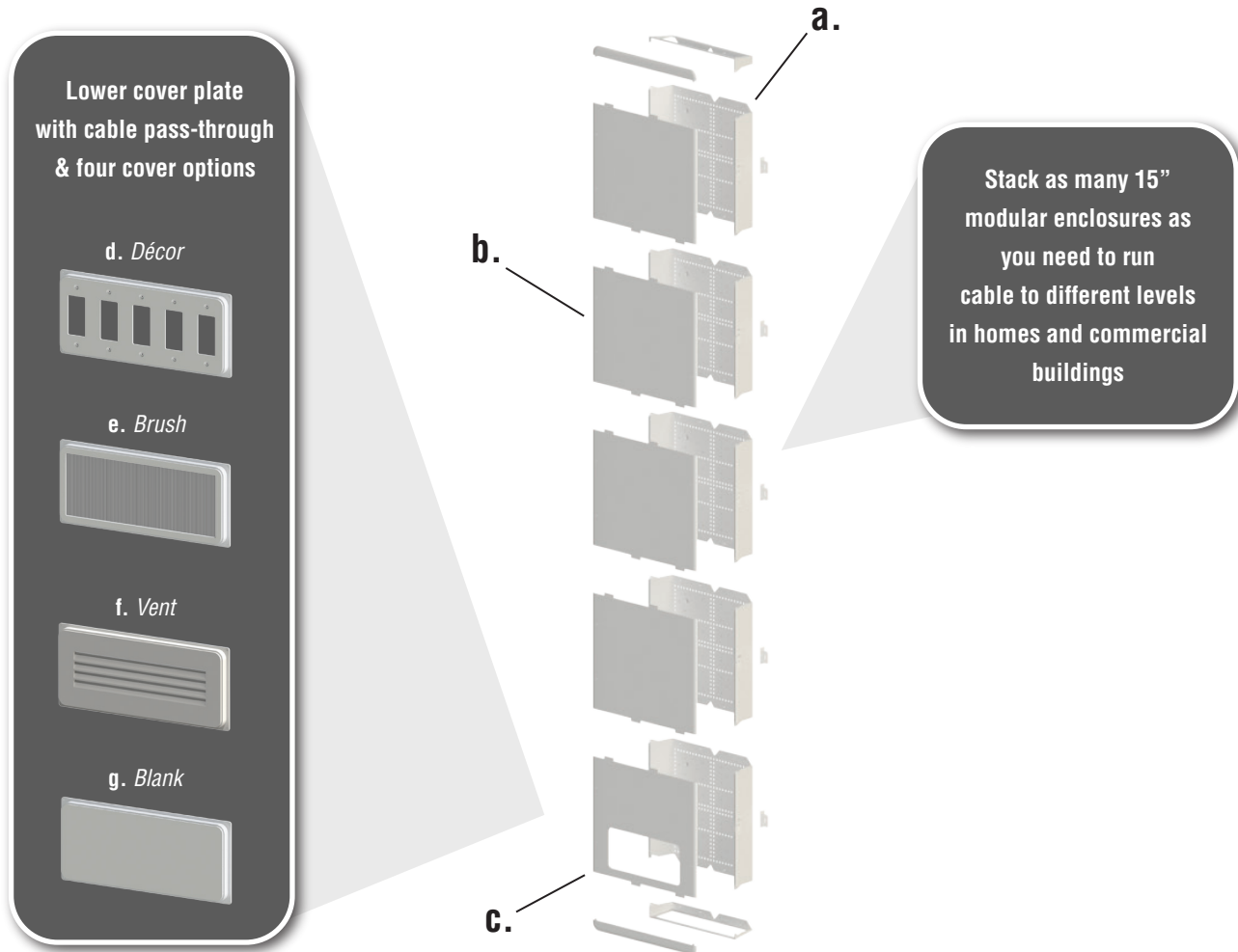
Part Number	Description
80-1500-E	15" Stackable Enclosure Box
80-1500-5-STACK	(5) Stacked 15" Enclosure Boxes
80-1500-SC	15" Screw Cover
80-1500-SC-5	(5) Stacked 15" Screw Covers
80-1530-E	30" Enclosure Box
80-1530-5 STACK	(5) Stacked 30" Enclosure Boxes
80-1530-HC	30" Hinge Door
80-1530-HC-5	(5) Stacked 30" Hinge Doors



Cable Trough System

Available Fourth Quarter, 2017

DataComm Electronics 15” modular enclosure sections can also be used to create a customized Cable Trough System that allows you to run large cable bundles to different levels of a home or commercial building. The added feature of a cable passthrough section with multiple cover options gives you even more control over your installation.



Part Number	Description
a. 80-1500-E	15” Stackable Enclosure Box
b. 80-1500-SC	15” Gangable Screw Cover
c. 80-1500-TC	15” Cover w/ Cable Pass-Through Opening
d. 80-1500-DI	Décor Pass-Through Cover
e. 80-1500-BH	Brush Pass-Through Cover
f. 80-1500-VT	Vented Cover
g. 80-1500-BC	Blank Insert for Cover

1 x 8 Telephone Module

- Used for adding up to 4 phone lines to 8 locations in your home
- Supports up to 8 (4 line) outlets for phone, fax, and other devices
- RJ45 expansion port for connecting additional phone modules
- Includes RJ31 security port
- Color coded 110 style punch-down connections
- Phone lines are wired according to TIA/EIA-568 requirements



Part Number	Description
80-0070	1 x 8 Telephone Module

Category 5e & 6 Data Modules

- Used to simplify and organize your network wiring terminations
- Non-bridged Category 5e or 6 data board with 4 pair 110 type IDC punchdown connectors providing high performance connectivity
- 8 category 5e RJ45 ports
- Complies with all TIA/EIA-568 requirements
- Requires the use of a network router switch



Part Number	Description
80-0030	Category 5e 8-Port Passive Data Module
80-0040	Category 6 8-Port Passive Data Module

Splitter Modules

- Connects video applications such as TV, HDTV, and satellite TV
- Allows up to six (6) coaxial connections in the home
- Standard F-Connector coaxial cable screws easily into the splitter

Part Number	Description
70-0034	4-Way, 2.4 GHz Splitter
70-0036	6-Way, 2.4 GHz Splitter
70-0038	8-Way, 2.4 GHz Splitter



AC Power Duplex Surge Module

- UL listed 15A/125V duplex surge receptacle
- Audible alarm sounds if surge suppressor is no longer functioning
- Muting screw allows the alarm to be silenced until the device is replaced
- Indicator light verifies power and suppression circuit is functionality

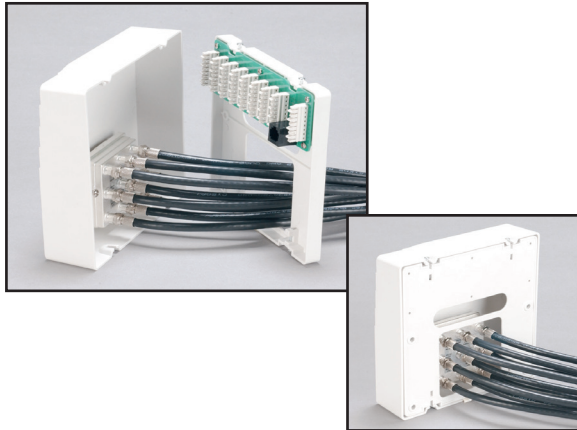
Part Number	Description
80-0050	AC power module w/ duplex surge receptacle



Phone/Video Distribution

Home Command Center II

The Home Command Center II is our most economical structured wiring solution. Surface mounting simplifies installation while allowing signal distribution up to 8 locations. This unique design provides all these benefits in one compact enclosure.



Features

- Ideal for existing construction or installing phone and video services
- Up to 4 phone line inputs to 8 locations
- 1 video input and 8 video outputs with a frequency response up to 2.4 GHz for satellite and cable TV
- Surface mount and convenient cutouts in the mounting plate facilitate cable runs and conceal cables from view

Part Number

70-0050

Dimensions

7.268" H x 7.5 W"

4-Gang 110 Phone Plate w/ Video Distribution

- Up to 4 phone lines to 8 locations
- 6-Way 1 GHz splitter for satellite and cable TV
- Mounts into a standard NEMA 4-gang box or 4-gang mounting bracket
- RJ45 test port

Part Number

70-0078

Description

4-Gang 4 x 8 110 Phone & 1 x 6 Splitter



2-Gang 110 Phone Plate

- Up to 4 Phone lines to 8 locations
- Mounts into a NEMA 2-gang box or 2-gang, low voltage mounting bracket
- RJ45 test port

Part Number

70-0080

Description

2-Gang 110 Phone Plate



HDMI[®]

Cables | Accessories | HDBaseT[™] HDMI[®] Extenders



TrueStream Pro 18 Gbps HDMI[®] Cables

P/N: 46-18XX-BK

Page 37

DataComm Electronics' entire line of high performance HDMI® products offers consistent reliability and true high speed data transmission rates, ensuring signal integrity at any length. Our new line of HDBaseT HDMI Extenders allow you to extend your HDMI signal up to 330 feet!



HDMI®

TrueStream Pro 10.2 Gbps HDMI® Cables	37
TrueStream Pro 18 Gbps HDMI® Cables	37
Décor Wall Plate Insert w/ 90° HDMI® Connector	38
Wall Plates w/ HDMI Connector & Pigtail	38
HDMI® Keystone Insert	38
HDBaseT HDMI Extenders	39-40

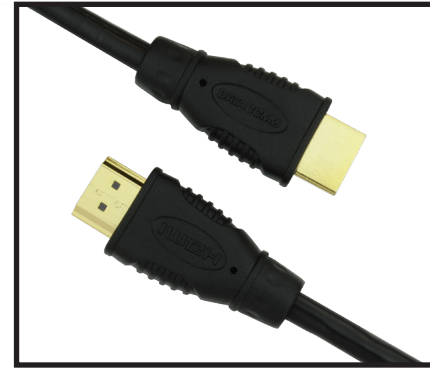
DATA COMM
ELECTRONICS™



TrueStream Pro 10.2 Gbps HDMI® Cables

- True 10.2 Gbps high speed performance
- 4K Ultra HD, Full HD 1080p, and Audio Return Channel
- 1080p 60 Hz at 8 bit color depth (full 48 bit deep color depth)
- 4K 60 Hz at 8 bit color depth / 30 Hz at 10 bit color depth
- HDCP 2.2 Compliant
- Supports all HDMI® High Speed features and audio formats
- Highly flexible cable for easy installation
- Backward compatible with all HDMI versions
- CL3 rated to UL standards for use in in-wall installations

- High Speed Premium HDMI Cables -



Part Number	Length	Active/Passive
46-1000-BK	1.5 ft.	Passive
46-1003-BK	3 ft.	Passive
46-1006-BK	6 ft.	Passive
46-1009-BK	9 ft.	Passive
46-1012-BK	12 ft.	Passive
46-1015-BK	15 ft.	Passive
46-1020-BK	20 ft.	Active
46-1035-BK	35 ft.	Active
46-1050-BK	50 ft.	Active

TrueStream Pro 18 Gbps HDMI® Cables

- 18 Gbps High Speed HDMI Cables -



- True 18 Gbps bandwidth
- High Dynamic Range (HDR), 32 channel Multi-Stream Audio
- CEC Extensions, Dual-View, & 21:9 Aspect Ratio Support
- 4K Ultra HD 2160p
- 4K@24/30Hz at 16-bit color depth (4:4:4)
- 4K@60Hz up to 16-bit, color depth (4:2:0)
- HDCP 2.2 Compliant
- CL3 rated to UL standards for in-wall installation
- PrimePass Certified for guaranteed performance
- HDMI Certified

Part Number	Length	Active/Passive
46-1800-BK	1.5 ft.	Passive
46-1803-BK	3 ft.	Passive
46-1806-BK	6 ft.	Passive
46-1809-BK	9 ft.	Passive
46-1812-BK	12 ft.	Active
46-1815-BK	15 ft.	Active
46-1820-BK	20 ft.	Active

HDMI® Accessories

DataComm Electronics' line of HDMI® accessories are the solution to connecting HDMI® products behind the wall while maintaining a clean, sleek look. These HDMI® connectors are designed with female ends on both the front and the back, making for an easy attachment to standard male-to-male HDMI® products. We offer various styles of HDMI® Inserts and Pigtail Wall Plates to meet the needs of all unique installations and applications.

Décor Plate Inserts

- Available with a single or dual 90° HDMI connector
- Compatible with all High Speed HDMI cables
- Can be installed with any manufacturer's décor style wall plate

Part Number	Description
20-4501-WH	Décor Wall Plate Insert w/ single 90° HDMI Connector
20-4502-WH	Décor Wall Plate Insert w/ dual 90° HDMI Connector



Standard HDMI Wall Plates



- Available with a single or dual HDMI connector and pigtail
- Compatible with all High Speed HDMI cables
- Décor inserts can be removed from wall plate and used in multi-gang applications
- Pigtail length - 8.5"

Part Number	Description
20-4503-WH	Standard Wall Plate w/ HDMI Connector & Pigtail
20-4505-WH	Standard Wall Plate w/ Dual HDMI Connector & Pigtail

HDMI Keystone Inserts

- Can be installed with any manufacturer's keystone wall plates
- Compatible with high speed HDMI cables
- Supports Ethernet channel
- Supports 4K Ultra HD
- Supports 3D resolution

Part Number	Description
20-4504-WH	HDMI Keystone Insert, White



HDBaseT™ HDMI® Extenders

DataComm Electronics' HDBaseT HDMI extenders allow your HDMI audio/video signal to be extended up to 330 feet over Cat 5e/6 UTP. These extenders are compatible with most audio/video devices and give you a big increase in signal distance without an increase in cost.

HDBaseT Lite™ HDMI Extender

- Supports HDMI Deep Color, full 3D & 4K @ 30 (HDBaseT Lite Technology)
- Extends the transmission from the HDMI source up to 60m (198ft) at full HD 1080p 48-bit and 40m (130ft) at 4K @30
- HDCP & EDID Bypass
- CEC Support
- Auto equalization
- DTS-HD® Master Audio and Dolby TrueHD© high bit rate audio support
- Supports full frequency bi-directional IR signal pass-through
- Pure unaltered uncompressed 7.1ch digital HDMI over Cat 5e/6 cable transmission



Part Number	Description
46-0200-LT	HDBaseT Lite HDMI Extender

HDBaseT Lite™ HDMI Extender with RS-232 Port

- Supports HDMI Deep Color, full 3D & 4K @ 30 (HDBaseT Lite Technology)
- Extends the transmission from the HDMI source up to 60m (198ft) at full HD 1080p 48-bit and 40m (130ft) at 4K @30
- Supports POC (Power over Cable) which can power both units from either TX or RX with only one power supply
- HDCP & EDID Bypass
- CEC Support
- Auto equalization
- Pure unaltered uncompressed 7.1ch digital HDMI over Cat5e/6 cable transmission
- DTS-HD® Master Audio and Dolby TrueHD© high bit rate audio support
- Supports full frequency bi-directional IR signal pass-through
- Full Duplex RS-232 control (115,200 bps throughput)



Part Number	Description
46-0200-RS-LT	HDBaseT Lite HDMI Extender w/ RS-232

HDBaseT™ HDMI Extender with RS-232 Port

- Supports HDMI Deep Color, full 3D & 4K @ 30 (HDBaseT Technology)
- Extends the transmission from the HDMI source up to 100m (330ft) at full HD 1080p 48-bit and 80m (264ft) at 4K @30
- Supports POC (Power over Cable) which can power both units from either TX or RX with only one power supply
- HDCP & EDID Bypass
- CEC Support
- Auto equalization
- Pure unaltered, uncompressed 7.1ch digital HDMI over Cat. 5e/6 cable transmission
- DTS-HD® Master Audio and Dolby TrueHD© high bit rate audio support
- Supports full frequency bi-directional IR signal pass-through
- Full Duplex RS-232 control (115,200 bps throughput)



Part Number	Description
46-0330-RS	HDBaseT HDMI Extender w/ RS-232

HDBaseT™ HDMI Extender with RS-232 Port & Audio Return Channel

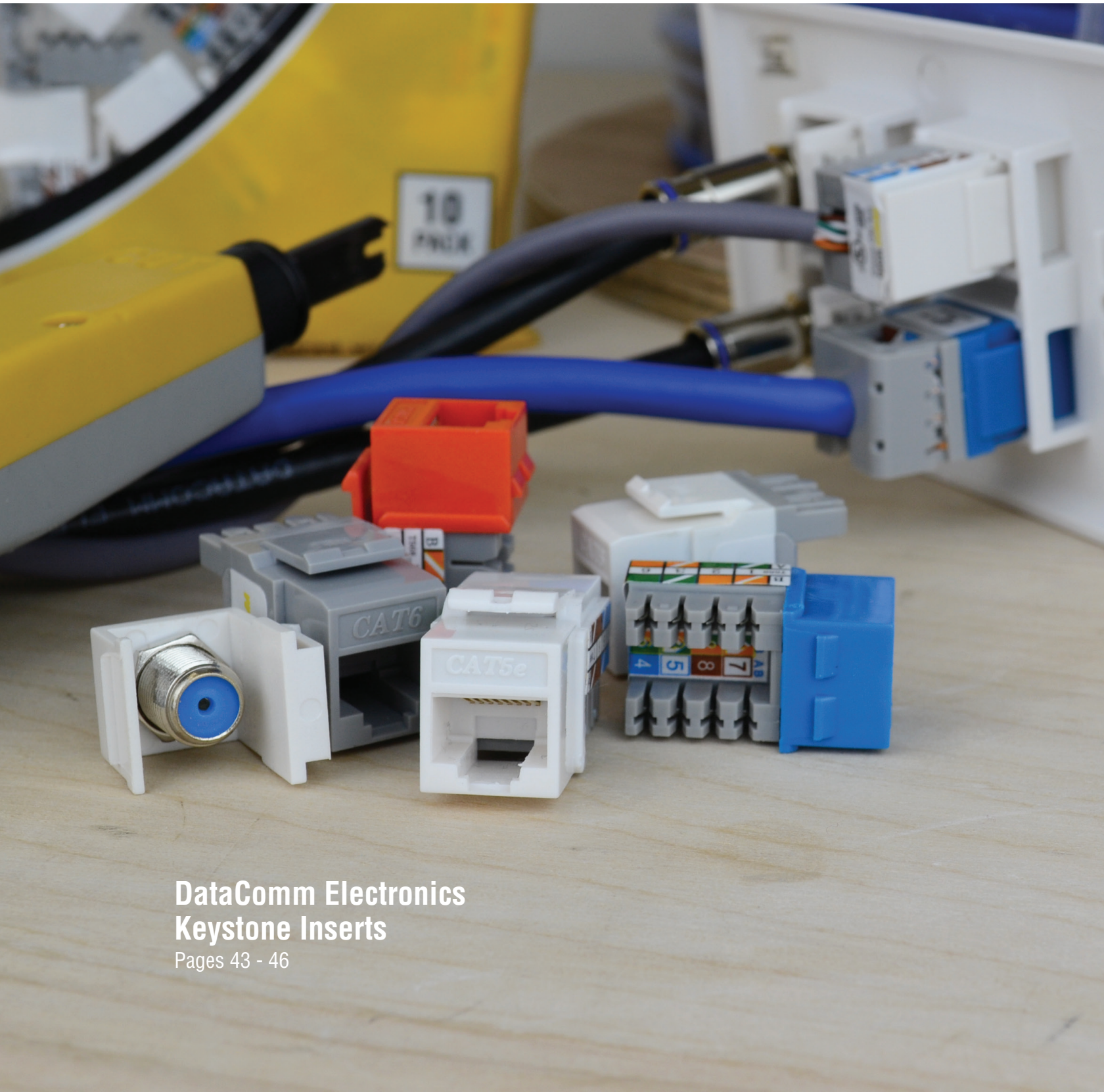
- Supports HDMI Deep Color, full 3D & 4K @ 30 (HDBaseT Technology)
- Extends the transmission from the HDMI source up to 100m (330ft) at full HD 1080p 48-bit and 80m (264ft) at 4K @30
- Supports POC (Power over Cable) which can power both units from either TX or RX with only one power supply
- Supports ARC (Audio Return Channel) on transmitter and receiver unit
- HDCP & EDID Bypass
- CEC Support
- Auto equalization
- USB 2.0 over Cat5e/6 cable transmission
- Analog audio over Cat5e/6 cable transmission from transmitter to receiver
- Pure unaltered, uncompressed 7.1ch digital HDMI over Cat5e/6 cable transmission
- DTS-HD® Master Audio and Dolby TrueHD© high bit rate audio support
- Supports full frequency bi-directional IR signal passthrough
- Full Duplex RS-232 control (115,200 bps throughput)
- Integrated port for LAN/network device



Part Number	Description
46-0330-RS-ARC	HDBaseT HDMI Extender w/ RS-232 & ARC

Keystone Inserts

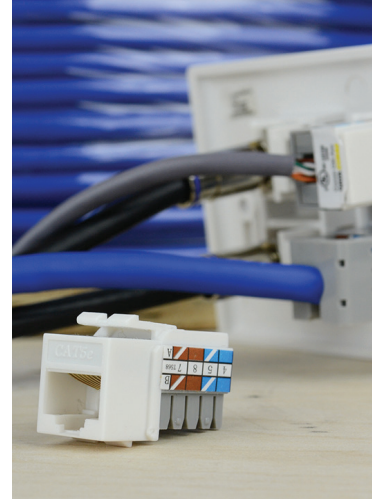
Cat 3 | Cat 5e | Cat 6 | F-Connector | RCA | Binding Post



DataComm Electronics
Keystone Inserts

Pages 43 - 46

DataComm Electronics offers several keystone insert products in a variety of colors. These UL listed keystone inserts are designed to work with DataComm Electronics' keystone wallplates and surface mount boxes.



Keystone Inserts

Category 3 Keystone Jacks	43
Category 5e Keystone Jacks	43
Category 6 Keystone Jacks	44
Jack Termination Tool	44
F-Connector Keystone	45
Blank Keystone Inserts	45
RCA to 110 Punch Down	45
RCA to RCA	46
Binding Post	46

DATA COMM
ELECTRONICS™

Category 3 Jacks

Features:

- 6-Position, 6-Conductor, RJ12
- Dual wiring code label allows connector to be wired with standard telephone wire or Category 5e wire
- Designed to work with residential or light commercial installations
- 110-type insulation displacement connectors (IDC)
- High-performance voice grade jack
- UL Listed
- Meets FCC Part 68 requirements
- 25-year product warranty



Part Number	10 Pack Part Number	Color
20-3423-BK	N/A	Black
20-3423-BR	N/A	Brown
20-3423-IV	N/A	Ivory
20-3423-LA	N/A	Lite Almond
20-3423-WH	20-3423-WH-10	White

Available in
10 Pack Bags



Category 5e Jacks



Features:

- Color coded wiring labels for T568A, T568B, and 110 type IDC
- UL Listed
- Meets FCC Part 68
- Exceeds TIA/EIA Category 5e standards for high performance transmission
- Intended for residential and light commercial use
- 25 year product warranty

Part Number	10 Pack Part Number	Color
20-3425-AL	N/A	Almond
20-3425-BK	N/A	Black
20-3425-BL	20-3425-BL-10	Blue
20-3425-BR	N/A	Brown
20-3425-GY	N/A	Gray
20-3425-IV	20-3425-IV-10	Ivory
20-3425-LA	20-3425-LA-10	Lite Almond
20-3425-OR	20-3425-OR-10	Orange
20-3425-RD	N/A	Red
20-3425-WH	20-3425-WH-10	White
20-3425-YW	N/A	Yellow

Available in
10 Pack Bags



Category 6 Jacks

Features:

- Color coded wiring labels for T568A, T568B, and 110 type IDC
- UL Listed
- Meets FCC Part 68
- Exceeds TIA/EIA Category 6 standards for high performance data transmission
- Intended for residential and light commercial use
- 25 year product warranty

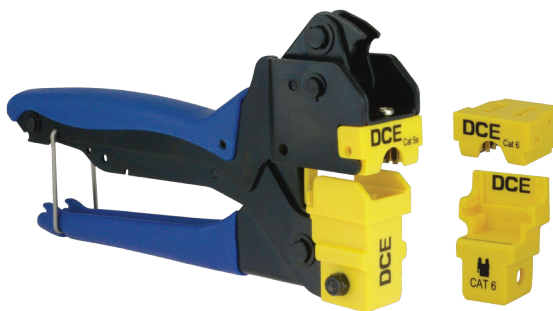
Part Number	10 Pack Part Number	Color
20-3426-AL	N/A	Almond
20-3426-BK	N/A	Black
20-3426-BL	20-3426-BL-10	Blue
20-3426-BR	N/A	Brown
20-3426-GY	N/A	Gray
20-3426-IV	20-3426-IV-10	Ivory
20-3426-LA	N/A	Lite Almond
20-3426-OR	20-3426-OR-10	Orange
20-3426-WH	20-3426-WH-10	White



Available in
10 Pack Bags

Jack Termination Tool

DataComm Electronics' Jack Termination Tool with Category 3/5e Punch Set allows you to terminate and cut 8 wires in one easy step. The easy-squeeze handle design is ideal for large install jobs making this tool the ideal solution for the professional installer. Cat 6 punch set available separately.



*Category 6 Punch Set Sold Separately

Features:

- Steel frame offers professional style performance
- DataComm Category 3/5e jack punch set is included
- Compatible with DataComm's Category 3 (p/n: 20-3423-XX) and Category 5e (p/n: 20-3425-XX) Jacks
- Punch set is interchangeable with DataComm's Category 6 jack punch set (p/n: 20-0132) for use with DataComm's Category 6 Jacks (p/n: 20-3426-XX)

Part Number Description

20-0130	Jack Termination Tool w/ Cat 3/5e Punch Set
20-0132	Interchangeable Cat 6 Punch Set

F-Connectors

- Female-to-female connectors
- Screw-on front and rear connectors for easy termination
- Nickel plated connector



Available in
10 Pack Bags



Part Number	Description	Color
20-3102-AL	1.0 GHz F-Connector	Almond
20-3102-BK	1.0 GHz F-Connector	Black
20-3102-BR	1.0 GHz F-Connector	Brown
20-3102-IV	1.0 GHz F-Connector	Ivory
20-3102-LA	1.0 GHz F-Connector	Lite Almond
20-3102-WH	1.0 GHz F-Connector	White
20-3202-AL	2.4 GHz F-Connector	Almond
20-3202-BK	2.4 GHz F-Connector	Black
20-3202-BR	2.4 GHz F-Connector	Brown
20-3202-IV	2.4 GHz F-Connector	Ivory
20-3202-LA	2.4 GHz F-Connector	Lite Almond
20-3202-LA-10	2.4 GHz F-Connector, 10 Pack	Lite Almond
20-3202-WH	2.4 GHz F-Connector	White
20-3202-WH-10	2.4 GHz F-Connector, 10 Pack	White
20-3302-LA	3.0 GHz F-Connector	Lite Almond
20-3302-WH	3.0 GHz F-Connector	White

Blank Keystone Inserts

Part Number	Color
20-3101-AL	Almond
20-3101-BR	Brown
20-3101-IV	Ivory
20-3101-LA	Lite Almond
20-3101-WH	White
20-3101-BK	Black



Keystone Binding Post

Part Number	Color
20-3106-WH/BK	White w/ Black Bezel
20-3106-WH/RD	White w/ Red Bezel
20-3106-WH/WH	White w/ White Bezel
20-3106-WH/YW	White w/ Yellow Bezel



Keystone RCA to 110 Punch Down

Part Number	Color
20-3105-WH	White



Keystone RCA to RCA

Part Number	Color
20-3103-LA/BK	Lite Almond w/ Black Bezel
20-3103-LA/BL	Lite Almond w/ Blue Bezel
20-3103-LA/GR	Lite Almond w/ Green Bezel
20-3103-LA/RD	Lite Almond w/ Red Bezel
20-3103-LA/WH	Lite Almond w/ White Bezel
20-3103-LA/YW	Lite Almond w/ Yellow Bezel
20-3103-WH/BK	White w/ Black Bezel
20-3103-WH/BL	White w/ Blue Bezel
20-3103-WH/GR	White w/ Green Bezel
20-3103-WH/RD	White w/ Red Bezel
20-3103-WH/WH	White w/ White Bezel
20-3103-WH/YW	White w/ Yellow Bezel



Keystone Plates

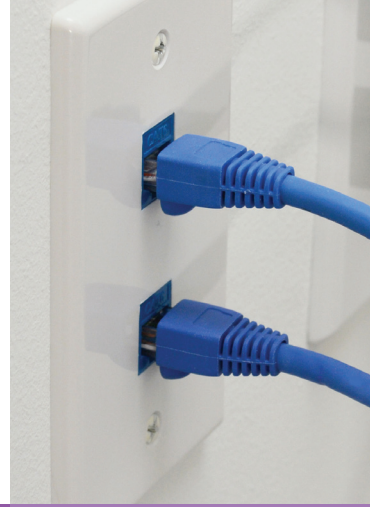
Standard Size | Mid-Size



**4-Port, Standard Size
Keystone Plate**

P/N: 20-3004-WH

Page 50



DataComm Electronics' Keystone Plates accept snap-in inserts made by DataComm Electronics and most other major manufacturers. These plates are made of non-breakable ABS plastic and are available in both standard and mid-size with your choice of seven (7) color options.

Keystone Plates

1-Port Keystone Plate, Standard Size	50
2-Port Keystone Plate, Standard Size	50
3-Port Keystone Plate, Standard Size	50
4-Port Keystone Plate, Standard Size	50
6-Port Keystone Plate, Standard Size	51
1-Port Keystone Plate, Mid-Size	51
2-Port Keystone Plate, Mid-Size	51
3-Port Keystone Plate, Mid-Size	51
4-Port Keystone Plate, Mid-Size	52
6-Port Keystone Plate, Mid Size	52
Keystone Décor Plate Inserts	52

DATA COMM
ELECTRONICS™



Keystone Plates

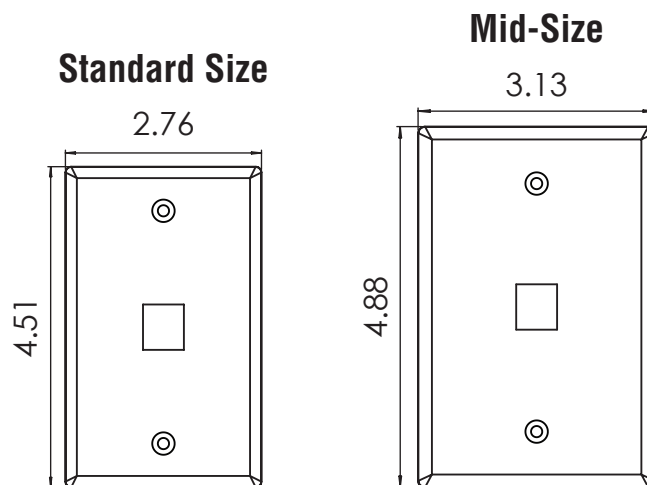
DATA COMM™
ELECTRONICS



Features and Specs

- Standard and Mid-Size available
- 1, 2, 3, 4, and 6-port available
- Designed to accept all DataComm Electronics keystone products
- Non-breakable ABS plastic
- Smooth finish to match electrical devices
- Available in seven (7) colors: Almond (AL), Black (BK), Brown (BR), Gray (GY), Ivory (IV), Lite Almond (LA), and White (WH)
- UL Listed

Drawings & Dimensions



Keystone Plates - 1-Port, Standard Size

Part Number	Color
20-3001-AL	Almond
20-3001-BK	Black
20-3001-BR	Brown
20-3001-GY	Gray
20-3001-IV	Ivory
20-3001-LA	Lite Almond
20-3001-WH	White



Keystone Plates - 2-Port, Standard Size

Part Number	Color
20-3002-AL	Almond
20-3002-BK	Black
20-3002-BR	Brown
20-3002-GY	Gray
20-3002-IV	Ivory
20-3002-LA	Lite Almond
20-3002-WH	White



Keystone Plates - 3-Port, Standard Size

Part Number	Color
20-3003-AL	Almond
20-3003-BK	Black
20-3003-BR	Brown
20-3003-GY	Gray
20-3003-IV	Ivory
20-3003-LA	Lite Almond
20-3003-WH	White



Keystone Plates - 4-Port, Standard Size

Part Number	Color
20-3004-AL	Almond
20-3004-BK	Black
20-3004-BR	Brown
20-3004-GY	Gray
20-3004-IV	Ivory
20-3004-LA	Lite Almond
20-3004-WH	White



Keystone Plates: 6-Port, Standard Size
 1-Port, Mid-Size
 2-Port, Mid-Size
 3-Port, Mid-Size



DATA COMM™
 ELECTRONICS

Keystone Plates - 6-Port, Standard Size

Part Number	Color
20-3006-AL	Almond
20-3006-BK	Black
20-3006-BR	Brown
20-3006-GY	Gray
20-3006-IV	Ivory
20-3006-LA	Lite Almond
20-3006-WH	White



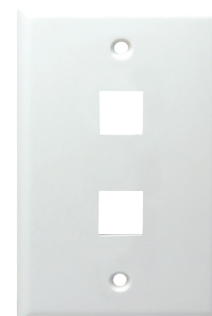
Keystone Plates - 1-Port, Mid-Size

Part Number	Color
20-3011-AL	Almond
20-3011-BK	Black
20-3011-BR	Brown
20-3011-GY	Gray
20-3011-IV	Ivory
20-3011-LA	Lite Almond
20-3011-WH	White



Keystone Plates - 2-Port, Mid-Size

Part Number	Color
20-3012-AL	Almond
20-3012-BK	Black
20-3012-BR	Brown
20-3012-GY	Gray
20-3012-IV	Ivory
20-3012-LA	Lite Almond
20-3012-WH	White



Keystone Plates - 3-Port, Mid-Size

Part Number	Color
20-3013-AL	Almond
20-3013-BK	Black
20-3013-BR	Brown
20-3013-GY	Gray
20-3013-IV	Ivory
20-3013-LA	Lite Almond
20-3013-WH	White



Keystone Plates - 4-Port, Mid-Size

Part Number	Color
20-3014-AL	Almond
20-3014-BK	Black
20-3014-BR	Brown
20-3014-GY	Gray
20-3014-IV	Ivory
20-3014-LA	Lite Almond
20-3014-WH	White



Keystone Plates - 6-Port, Mid-Size

Part Number	Color
20-3016-AL	Almond
20-3016-BK	Black
20-3016-BR	Brown
20-3016-GY	Gray
20-3016-IV	Ivory
20-3016-LA	Lite Almond
20-3016-WH	White



Décor Plate Inserts

Décor plate keystone inserts. Available in 1, 2, 3, and 4-Port in your choice of three colors.

Part Number	Description/Color
20-5142	Décor Plate Insert for 1 Keystone, White
20-5143	Décor Plate Insert for 1 Keystone, Ivory
20-5145	Décor Plate Insert for 1 Keystone, Lite Almond
20-5152	Décor Plate Insert for 2 Keystones, White
20-5153	Décor Plate Insert for 2 Keystones, Ivory
20-5155	Décor Plate Insert for 2 Keystones, Lite Almond
20-5162	Décor Plate Insert for 3 Keystones, White
20-5163	Décor Plate Insert for 3 Keystones, Ivory
20-5165	Décor Plate Insert for 3 Keystones, Lite Almond
20-5172	Décor Plate Insert for 4 Keystones, White
20-5173	Décor Plate Insert for 4 Keystones, Ivory
20-5175	Décor Plate Insert for 4 Keystones, Lite Almond



Telephone Accessories

Wall Plates | Surface Mounts | Connectors | Splitters



DataComm Electronics
Phone Plates & Accessories

Pages 55 - 60

DataComm Electronics' easy to use plates feature patented color-matched connections that take the guesswork out of wire termination. In fact, our Color-Rite series is so innovative, it received U.S. patent number 6923675.



Telephone Accessories

Color-Rite Phone Plates	55
Color-Rite Quick Mount Plate	56
Color-Rite Surface Block	56
Color-Rite Combination Phone/Coax Plate	56
Blank Wall Plate	57
Wall Plate w/ One Hole	57
Coax Wall Plates	57-58
2.4 GHz Coax Wall Plate	58
Color-Rite Décor Wall Plate Inserts	58
Décor Coax Wall Plate	59
Décor Wall Plates	59
Décor Plate Inserts	60
Surface Mounts	60

DATA COMM
ELECTRONICS™



Color-Rite™ Series

DataComm Electronics' Color-Rite™ phone termination is so innovative it has received a U.S. Patent. These products install correctly on the first try. They take the guesswork out of terminating connections, so even trainees can produce good results with minimal instruction.

Features:

- Four conductor screw terminal wiring that color-matches the blue, blue/white, and orange, orange/white wiring for Cat 3 and Cat 5e cabling
- Four conductor terminal screws that color-match the red, green, black, and yellow wiring of station wire (ideal for retrofit work)
- Install with a low voltage mounting bracket
- Reduced training time for new installers
- Eliminates incorrect wiring to the terminal and costly project callbacks



Color-Rite™ Standard Size Phone Plates

Part Number	UL Part Number	Description/Color
20-1511	22-0011	Standard Size, Ivory
20-1512	22-0012	Standard Size, White
20-1515	22-0015	Standard Size, Lite Almond

*Standard Size Plate Dimensions - 2.75" x 4.50"



Color-Rite™ Mid-Size Phone Plates

Part Number	UL Part Number	Description/Color
20-1521	22-0021	Mid-Size, Ivory
20-1522	22-0022	Mid-Size, White
20-1523	22-0023	Mid-Size, Brown
20-1525	22-0025	Mid-Size, Lite Almond

*Mid-Size Plate Dimensions - 3.13" x 4.88"



Color-Rite™ Dual Phone Plates

Smooth wall plate, 4 conductor for 2 lines or 1 phone and 1 data/fax

Part Number	UL Part Number	Description
20-1531	22-0031	Standard Size, Ivory
20-1532	22-0032	Standard Size, White
20-1535	22-0035	Standard Size, Lite Almond
20-1541	22-0041	Mid-Size, Ivory
20-1542	22-0042	Mid-Size, White
20-1545	22-0045	Mid-Size, Lite Almond



Color-Rite™ Quick Mount Plate

Quick connect wall plate for use with wall type phones. Easy-to-use screw terminals



Part Number	UL Part Number	Color
20-1604	22-0104	Stainless Steel
20-1611	22-0111	Ivory
20-1612	22-0112	White
20-1615	22-0115	Lite Almond

Color-Rite™ Surface Block - 4-Conductor

Surface mounting block for baseboards or walls. Screw terminals for easy connection

Part Number	UL Part Number	Color
20-2011	22-0211	Ivory
20-2012	22-0212	White
20-2015	22-0215	Lite Almond



Color-Rite™ Combination Phone/Coax Plate

A single gang wall plate designed to accept modular 4 conductor phone connection and coax cable



Part Number	UL Part Number	Color/Description
40-1511	40-0011	Ivory, Standard Size
40-1512	40-0012	White, Standard Size
40-1515	40-0015	Lite Almond, Standard Size
40-1721	40-0021	Ivory, Mid-Size
40-1722	40-0022	White, Mid-Size
40-1725	40-0025	Lite Almond, Mid-Size



Blank Wall Plate

Smooth wall plate for covering outlet box not in use.

Part Number	Description/Color
21-0022	Blank Mid-Size Plate, White
21-0025	Blank Mid-Size Plate, Lite Almond
21-0026	Blank Standard Plate, White
21-0027	Blank Standard Plate, Lite Almond
21-0028	Blank Standard Plate, Ivory



Wall Plate w/ One Hole



Smooth wall plate that allows for the insertion of a connector or for a cable to be pulled through.

Part Number	UL Part Number	Color
31-0002	32-0702	White

Coax Wall Plate - Standard Size

Single F to F type connection in a single gang wall plate.

Part Number	UL Part Number	Description/Color
30-2011	32-0011	Ivory Plate
30-2012	32-0012	White Plate
30-2013	32-0013	Brown Plate
30-2015	32-0015	Lite Almond Plate



Coax Wall Plate - Mid-Size

Single F to F type connection in a single gang wall plate.



Part Number	UL Part Number	Description/Color
30-2021	32-0021	Ivory Plate
30-2022	32-0022	White Plate
30-2023	32-0023	Brown Plate
30-2025	32-0025	Lite Almond Plate

Dual Coax Wall Plate

Single F to F type connection in a single gang wall plate.

Part Number	UL Part Number	Description/Color
30-2131	32-0031	Ivory Plate
30-2132	32-0032	White Plate
30-2135	32-0035	Lite Almond Plate



2.4 GHz Coax Wall Plates

Single F to F type connection in a single gang wall plate.



Part Number	Description
32-2024-BR	2.4 GHz Coax Wall Plate, Brown
32-2024-IV	2.4 GHz Coax Wall Plate, Ivory
32-2024-LA	2.4 GHz Coax Wall Plate, Lite Almond
32-2024-WH	2.4 GHz Coax Wall Plate, White

Color-Rite™ Décor Combo Phone/Coax Insert

Décor wall plate is designed to handle two phone lines from one location. Fits NEMA single gang box.

Part Number	Description/Color
40-1712	4 Conductor, White
40-1715	4 Conductor, Lite Almond



Décor Coax Wall Plates

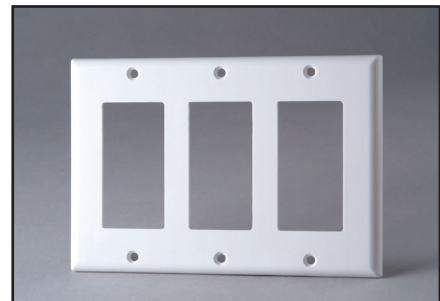


Part Number	Description/Color
30-2312	Coax Wall Plate Décor, White
30-2315	Coax Wall Plate Décor, Lite Almond

Décor Wall Plates

Available in 1, 2, and 3-Gang.

Part Number	Description/Color
20-5111	Décor Wall Plate, 1-Gang, Ivory
20-5112	Décor Wall Plate, 1-Gang, White
20-5115	Décor Wall Plate, 1-Gang, Lite Almond
20-5121	Décor Wall Plate, 2-Gang, Ivory
20-5122	Décor Wall Plate, 2-Gang, White
20-5125	Décor Wall Plate, 2-Gang, Lite Almond
20-5132	Décor Wall Plate, 3-Gang, White
20-5135	Décor Wall Plate, 3-Gang, Lite Almond



Surface Mounts

1-port and 2-port surface mounting box for category 5e and category 6 jacks.



Part Number	Description/Color
20-5311	1-Port Surface for Keystone Modules, Ivory
20-5312	1-Port Surface for Keystone Modules, White
20-5313	1-Port Surface for Keystone Modules, Lite Almond
20-5321	2-Port Surface for Keystone Modules, Ivory
20-5322	2-Port Surface for Keystone Modules, White
20-5323	2-Port Surface for Keystone Modules, Lite Almond

Coaxial Connectors

F-Type | BNC | Phone/Data | Insulation Displacement | Splitters



BNC Compression Connector

P/N: 41-0090

Page 63





DataComm Electronics offers a line of compression fittings ranging from coaxial and BNC connectors to phone/data plugs and insulation displacement connectors.

Coaxial Connectors

F-Type	63
BNC Connectors	63-65
RCA Connectors	65
Insulation Displacement Connectors	65
Phone & Data Plugs	66
Splitters	66

DATA COMM
ELECTRONICS™

Coaxial Connectors

Coaxial Connectors
BNC Connectors

DATA COMMTM
ELECTRONICS

F-Type

A. F-Connector Compression

Part Number	Description
30-2600	RG-59, Red, 25 Pack
30-2606	RG-6 / RG-6 Quad, Black, 25 Pack



A. F-Connector Compression



B. Crimpless Male Twist-On Connector

B. Crimpless Male Twist-On Connector

Part Number	Description
30-1101	RG-59
30-1200	RG-6
30-1201	RG-6 Quad

C. Crimp On Male with Attached 1/2" Crimp Ring

Part Number	Description
30-1205	RG-6
30-1300	RG-6 Quad



C. Crimp on Male w/
Attached 1/2" Crimp Ring



D. F-Connector Right
Angle Adaptor

D. F-Connector Right Angle Adaptor

Part Number	Description
30-2500	Right Angle



E. Female to Female
F-Connector Splice

E. F-Connector Splice

Part Number	Description
30-1400	1.0 GHz

BNC Connectors



A. BNC Male Twist-On



B. BNC Male Crimp

A. BNC Compression Connector

Part Number	Description
41-0090	RG59U
41-0096	RG6U & Quad

B. BNC Male Crimp

Part Number	Description
41-0020	RG59U
41-0025	RG6U

BNC Connectors (Cont'd)

A. BNC Male Twist-On

Part Number	Description
41-0030	RG59U
41-0035	RG6U



A. BNC Male Twist-On



B. BNC Male Quick Connect

B. BNC Male Quick Crimp

Part Number	Description
41-0040	RG59U
41-0045	RG6U
41-0046	RG59U & RG6U Teflon

C. BNC Female Twist-On

Part Number	Description
41-0049	RG59U & RG6U



C. BNC Female Twist-On



D. BNC T-Adapter

D. BNC T-Adapter

Part Number	Description
41-0052	1 Male to 2 Female

E. BNC Double Female Adapter

Part Number	Description
41-0055	Double Female



E. BNC Double Female Adapter



G. BNC Male to RCA Male

G. BNC Male to RCA Male

Part Number	Description
41-0060	BNC to RCA

H. BNC Male to RCA Female

Part Number	Description
41-0065	Male to Female



H. BNC Male to RCA Female



I. BNC Male to Female

I. BNC Male to F Female

Part Number	Description
41-0070	Male to Female

BNC Connectors (Cont'd)

A. BNC Female to F Male

Part Number	Description
41-0075	Female to Male



A. BNC Female to F Male



B. BNC Female to RCA Male

B. BNC Female to RCA Male

Part Number	Description
41-0080	Female to Male

RCA Connectors



A. RCA Compression Connector



B. RCA Female to F Female

A. RCA Compression Connector

Part Number	Description
42-0020	RG59U
42-0026	RG6U Quad

B. RCA Female to F Female

Part Number	Description
42-0015	Female to Female



C. RCA Male to F Female

C. RCA Male to F Female

Part Number	Description
42-0016	Male to Female

Insulation Displacement Connectors

A. UY IDC Connector

Part Number	Description
20-5722	2-Wire (26-22 AWG)



A. UY IDC Connector

B. UR IDC Connector

Part Number	Description
20-5723	3-Wire (26-19 AWG)



B. UR IDC Connector

Phone & Data Plugs

A. RJ45

Part Number	Description
20-5703	RJ45, Cat 5e, 8 Conductor UTP
20-5706	RJ45, Cat 6, 8 Conductor UTP



A. RJ45, Cat 5e



A. RJ45, Cat 6

B. RJ11

Part Number	Description
20-5701	RJ11, 4 Conductor UTP



B. RJ11



C. RJ12

C. RJ12

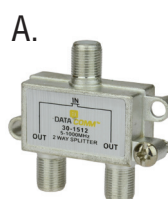
Part Number	Description
20-5702	RJ12, 6 Conductor UTP

1.0 GHz Splitters

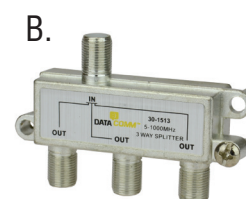
The 30-15XX series of splitters represent a new generation of passive products designed for higher frequency operation in international cable distribution systems. Printed circuits and special ferrite core material guarantee minimal insertion loss and optimal isolation and return loss up to 1 GHz. The series provides:

- > -130 dB EMI performance by soldering the back cover to the case
- > -100 dB EMI performance by employing a tongue and groove mating of case and back cover

Photo	Part Number	Description
A.	30-1512	2-Way
B.	30-1513	3-Way
C.	30-1514	4-Way
D.	30-1516	6-Way
E.	30-1518	8-Way



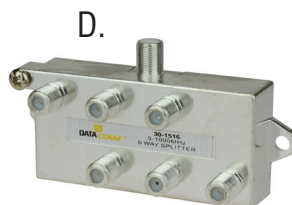
A.



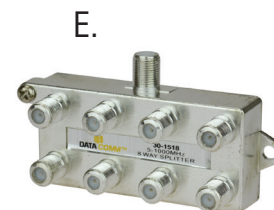
B.



C.



D.

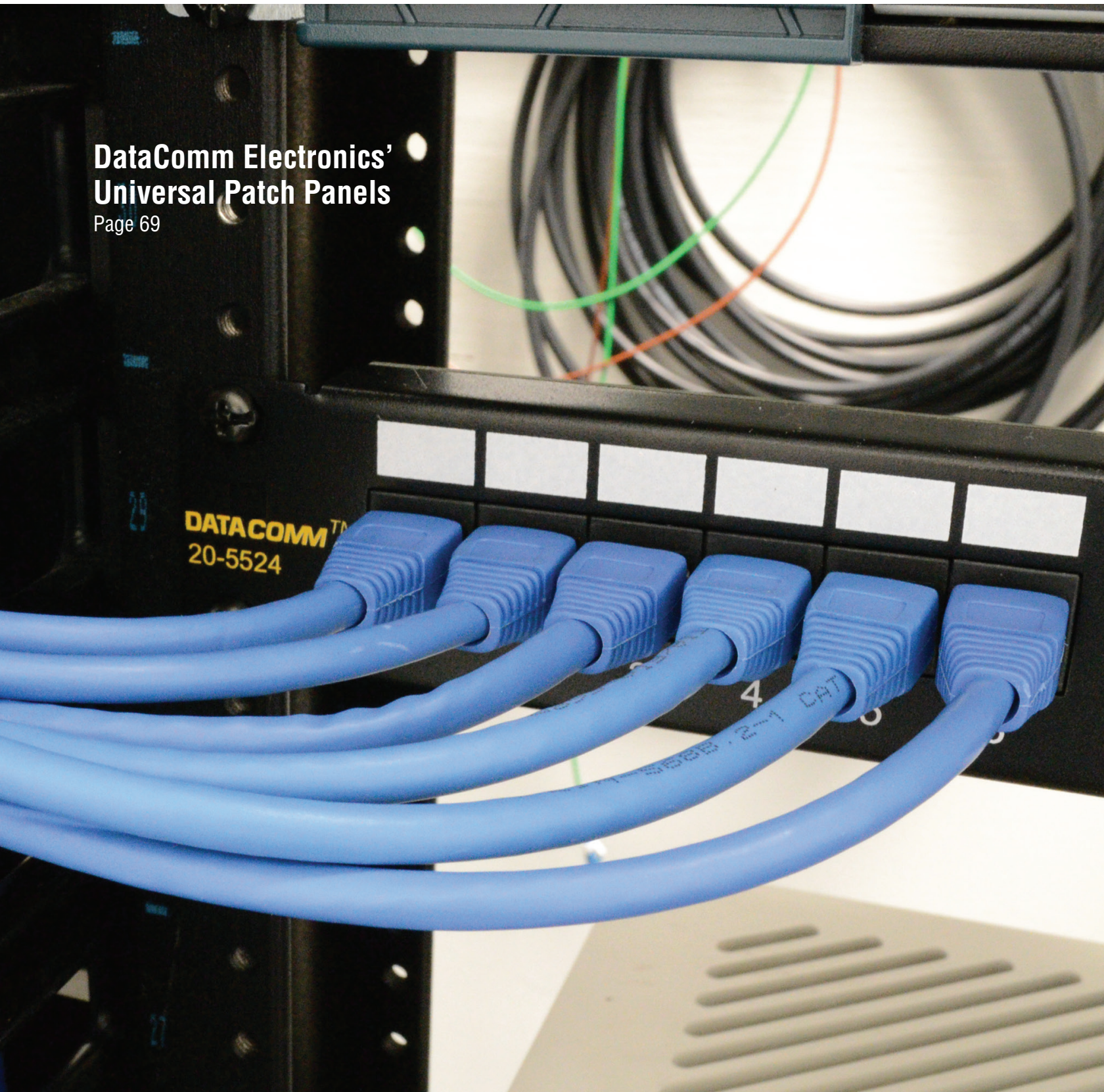


E.

Patch Panels & Accessories

Patch Panels | Brackets | Wire Management | Patch Cords

DataComm Electronics'
Universal Patch Panels
Page 69



DataComm Electronics' Category 5e and Category 6 Patch Panels are designed and color coded for T568A and T568B wiring configurations and are designed to fit industry standard 19" racks and cabinets. These products also come with a 25-year product warranty and a 25-year Channel System warranty when terminated with Honeywell Genesis Cable.



Patch Panels & Accessories

Category 5e 12-Port Mini Patch Panel w/ 89D Mounting Bracket	69
Category 5e Universal 12-Port Patch Panel	69
Category 5e Universal 24-Port Patch Panel	69
Category 5e Universal 48-Port Patch Panel	69
Category 6 12-Port Mini Patch Panel w/ 89D Mounting Bracket	69
Category 6 Universal 12-Port Patch Panel	69
Category 6 Universal 24-Port Patch Panel	69
Category 6 Universal 48-Port Patch Panel	69
19" Rack Cable Management Wire Holder	70
1U Hinged Wall Mount Bracket	70
2U Hinged Wall Mount Bracket	70
24-Port Blank Patch Panel	70
Category 5e Patch Cords	72
Category 6 Patch Cords	72

DATA COMM
ELECTRONICS™

Patch Panels



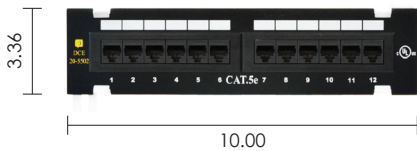
DATA COMM™
ELECTRONICS

Category 5e & Category 6 Patch Panels

Features:

- Designed and color coded for TIA568A and TIA568B wiring configurations
- Meets all UL standards and requirements for category 5e & category 6 patch panels
- Intertek ETL Semko verified and tested to category 5e and category 6 industry standards & certifications
- 3P-Third Party Testing verified and tested to category 5e and category 6 industry standards & certifications
- Meets or exceeds all published TIA/EIA-568B guidelines for category 5e and category 6 requirements; meets FCC part 68
- Designed to fit all standard 19" racks and cabinets
- Patch panels come pre-configured with easy to read 110-style punch downs on the rear side and six-port RJ-45 front modules
- 16 gauge steel, black powder coated panel with UL 940-0 rated jack housing
- Connector spring wire contacts are 50 micro inches gold over nickel
- RoHS compliant
- 25-year product warranty
- 25-year Channel System Warranty when terminated with Honeywell Genesis Cable

Mini Patch Panels



Part Number

Description

20-5502

Category 5e, 12-Port w/ 89D Mounting Bracket

20-5602

Category 6, 12-Port w/ 89D Mounting Bracket

Universal Patch Panels

Part Number

Description

20-5512

Category 5e, 12-Port

20-5612

Category 6, 12-Port

Part Number

Description

20-5524

Category 5e, 24-Port

20-5624

Category 6, 24-Port

Part Number

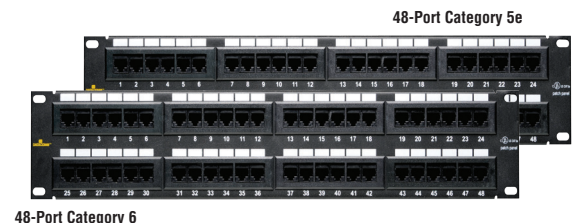
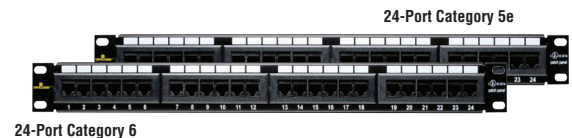
Description

20-5548

Category 5e, 48-Port

20-5648

Category 6, 48-Port



Patch Panel Accessories

19" Rack Cable Management Wire Holder

- For use with any 19" rack mount patch panel

Part Number

20-5550



1U Hinged Wall Mount Bracket

- Universal left or right hinge mounting
- For use with any 19" rack mount patch panel
- 6" deep mounting bracket

Part Number

20-5551



2U Hinged Wall Mount Bracket

- Universal left or right hinge mounting
- For use with any 19" rack mount patch panel
- 6" deep mounting bracket

Part Number

20-5552



24-Port Blank Patch Panel

- For use with any 19" rack mount patch panel

Part Number

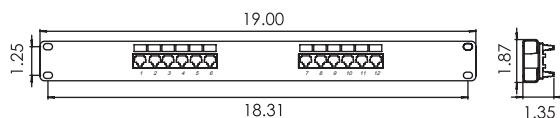
20-5024



Drawings & Dimensions

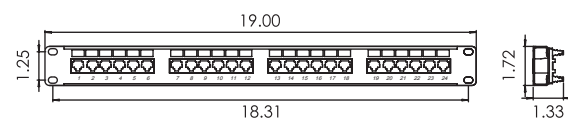
20-5512: Category 5e 12-Port Patch Panel

20-5612: Category 6 12-Port Patch Panel



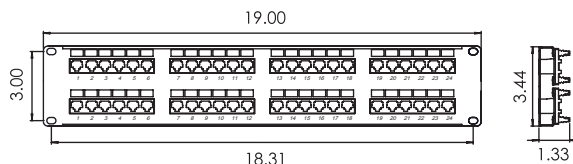
20-5524: Category 5e 24-Port Patch Panel

20-5624: Category 6 24-Port Patch Panel



20-5548: Category 5e 48-Port Patch Panel

20-5648: Category 6 48-Port Patch Panel



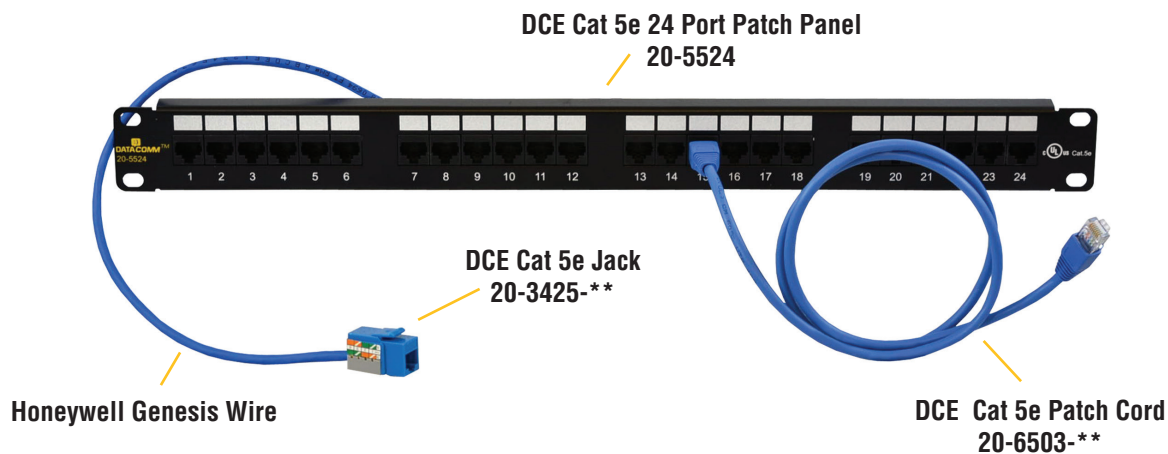
Features and Specs

Patch Cords

- Exceeds TIA/EIA Category 5e standards for high performance transmission
- Exceeds TIA/EIA Category 6 standards for high performance transmission
- Stranded conductor for longer flex life
- Improved strain relief
- Available in 5 lengths: 1 ft., 3 ft., 7 ft., 10 ft., 15 ft., and 25 ft.
- Available in 2 colors: Blue (BL) and White (WH)
- Materials: 24 AWG, UTP stranded conductor, 8-conductor plus, 94V-0 rated
- Category 5e complies with all TSB-95 requirements
- Category 6 complies with all TIA/EIA-568B.2-1 requirements
- Meets FCC Part 68
- UL Listed
- ETL Verified for performance
- 20 year product warranty

25-Year Channel System Warranty

When using DataComm Electronics' Patch Panels, Patch Cords, Category 5e Jacks, and Category 6 Jacks with Honeywell Genesis Category 5e Cable (number 5078, 5088, and 5090) and Honeywell Genesis Category 6 Cable (numbers 5092 and 5102).



Category 5e Patch Cords

Part Number	Length / Color
20-6501-BL	1 ft., Blue
20-6501-WH	1 ft., White
20-6503-BL	3 ft., Blue
20-6503-WH	3 ft., White
20-6507-BL	7 ft., Blue
20-6507-WH	7 ft., White
20-6510-BL	10 ft., Blue
20-6510-WH	10 ft., White
20-6515-BL	15 ft., Blue
20-6515-WH	15 ft., White
20-6525-BL	25 ft., Blue
20-6525-WH	25 ft., White



Category 6 Patch Cords

Part Number	Length / Color
20-6601-BL	1 ft., Blue
20-6601-WH	1 ft., White
20-6603-BL	3 ft., Blue
20-6603-WH	3 ft., White
20-6607-BL	7 ft., Blue
20-6607-WH	7 ft., White
20-6610-BL	10 ft., Blue
20-6610-WH	10 ft., White
20-6615-BL	15 ft., Blue
20-6615-WH	15 ft., White
20-6625-BL	25 ft., Blue
20-6625-WH	25 ft., White

